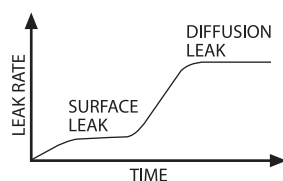


Internally Purged Valves

- **Protect your work**
Block any possible diffusion from the atmosphere
- **Protect your workplace**
Safely vent any fugitive emissions from the valve

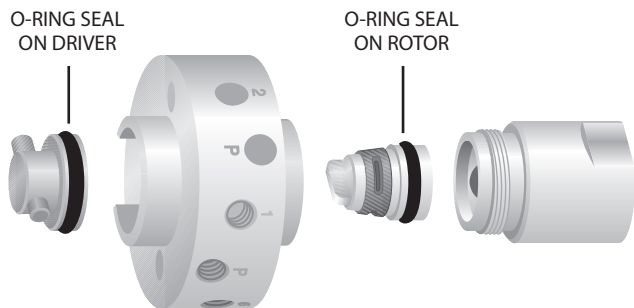
Description

The measurement of low ppb atmospheric gas concentrations may necessitate the purging of any leakage across the sealing surfaces and/or any diffusion through the sealing material.



Designs which employ a "purging groove" on the rotor are successful at capturing surface leaks, but are ineffective at purging air which diffuses through the polymeric rotor.

Valco offers two methods for capturing and purging both types of leakage. You can choose a purge housing for a standard valve, or use an internally purged valve, as featured here.



Both methods are available for most Valco injectors and selectors with 1/16" or 1/8" fittings; however, space-saving internally purged versions are not available for some smaller bore 1/16" models.

We also offer mass spec leak rate certification. Please contact the factory to discuss your application.

