

MODEL 300 FLOW CONTROLLER

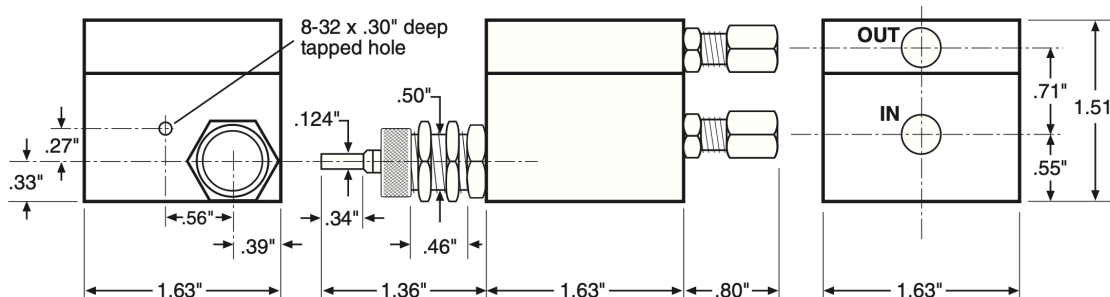
Technical Note 615

The Model 300 is our downstream-referenced flow controller, maintaining a constant flow rate as long as the outlet pressure remains constant. (Most users allow the gas to be released at atmospheric pressure.) While the supply pressure might fluctuate from variations in sampling pressure or from chemical reactions taking place, the flow rate remains stable.

SPECIFICATIONS

Maximum flow may be as low as 100 mL/min or as high as 1.5 L/min. Maximum operating pressure is 200 psig; maximum temperature is 120°C.

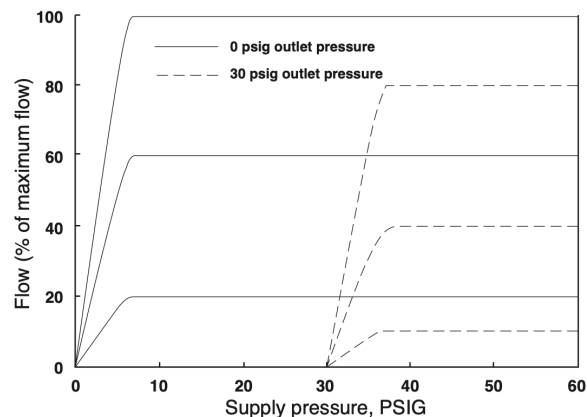
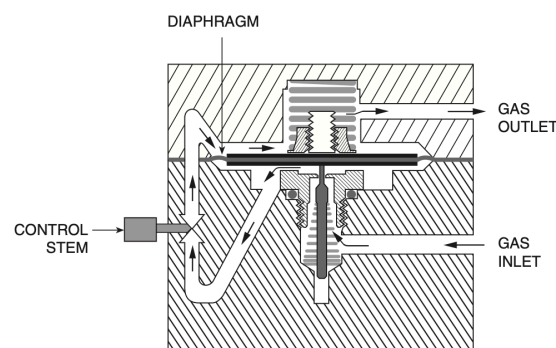
DIMENSIONS



FLOW RATES

The Model 300 will accurately maintain the set flow rate in spite of fluctuating upstream pressure – even if the fluctuation is to within 7.5 psig of the outlet pressure. When the flow controller is equipped with the optional Spectrol digital dial, settings are reproducible to better than 1%.

NOTE: With all our flow controllers, the inlet pressure must exceed the outlet pressure by 10 psi.



FLOW CHARACTERISTICS

At 40 psig nitrogen

