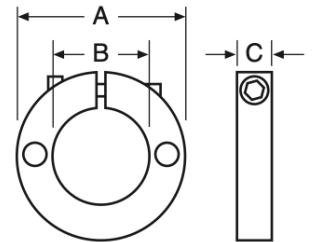



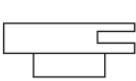
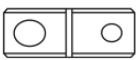
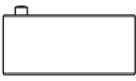

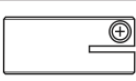
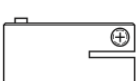


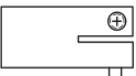


CLAMP RING DESCRIPTIONS & APPLICATIONS

Technical Note 431



CLAMP RING DESCRIPTIONS

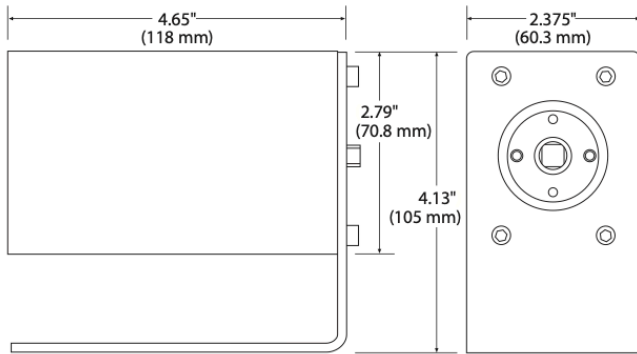
CLAMP RING	MATERIAL*	NOMINAL DIMENSIONS			MOUNTING HOLES
		A	B	C	
CR2 	Aluminum, black anodized	1.36"	.63"	.26"	Clearance for 8-32 socket head cap screw
CR3 	Aluminum, black anodized	1.36"	.63"	.31"	Clearance for 8-32 socket head cap screw
CR4 	Stainless steel, tumble burnished	1.36"	.75"	.26"	Clearance for 8-32 socket head cap screw with turned down head
CR41 	Aluminum, black anodized	1.36"	.75"	.31" + .25" boss	Threaded, 6-32
CR8 	Aluminum, black anodized	1.36"	.63"	.50"	Clearance for 8-32 socket head cap screw
CR10 	Aluminum, clear anodized	1.36"	.63"	.63"	Clearance for 8-32 socket head cap screw with turned down head
CR11 	Aluminum, black anodized	1.36"	.75"	.59"	Threaded, 6-32
CR12 	Aluminum, clear anodized	1.36"	.75"	.63"	Clearance for 8-32 socket head cap screw with turned down head
CR13 	Aluminum, clear anodized	1.36"	.75"	.63"	Clearance for 8-32 socket head cap screw with turned down head
CR14 	Aluminum, clear anodized	1.36"	.69"	.32"	Clearance for 8-32 socket head cap screw
CR16 	Aluminum, clear anodized	1.36"	.75" to .25"	.50"	Threaded, 8-32
CR17 	Aluminum, clear anodized	1.36"		.63"	Clearance for 8-32 socket head cap screw with turned down head

CLAMP RING APPLICATIONS

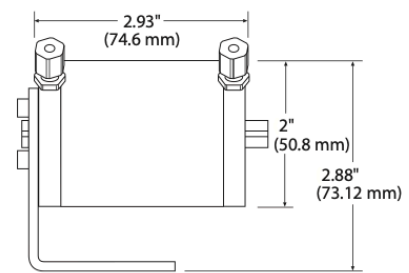
CLAMP RING	APPLICATION
CR2	Panel adapter: mounts on the instrument panel to hold a standoff in place. Included with all standoff assemblies.
CR3	Mounts on a two position or multiposition standard electric or air actuator to hold the standoff to the actuator. Used with all Cheminert and Valco valves.
CR4	Mounts on a two position standard electric or air actuator to hold a CR41 in place. The CR4 and CR41 comprise a closemount assembly. These are also used to mount a diaphragm valve to an instrument panel.
CR41	Mounts on a Valco two position valve; secured to a standard electric or air actuator by a CR4. The CR4 and CR41 comprise a closemount assembly.
CR8	Mounts on a universal actuator or a two position microelectric to hold the standoff to the actuator. Used with two position valves.
CR10	Mounts on a universal actuator or a multiposition microelectric actuator to hold a keyed stand-off to the actuator. Used with Valco and Cheminert selectors.
CR11	Mounts on a multiposition standard electric or air actuator for closemount installation of Cheminert selectors.
CR12	Mounts on a two position microelectric actuator for closemount installation of Cheminert two position valves. It is also used for Valco valves without mounting holes and the right angle drive (RAD).
CR13	Mounts on a multiposition microelectric actuator for closemount installation of Valco and Cheminert selectors.
CR14	Used with SFV and SFVO on/off and prime purge valves.
CR16	Used on close mount manual valves that do not have mounting holes; replacement for the WSH (shaft housing). It allows a flexible mounting of the valve so that Position 1 doesn't have to be on the top.
CR17	Used to mount a two position valve on a standoff on the output of a right angle drive (RAD). It is also used with multiposition valves to mount the standoff to the actuator in non-keyed (non- self-aligning) applications.

ACTUATOR IDENTIFICATION

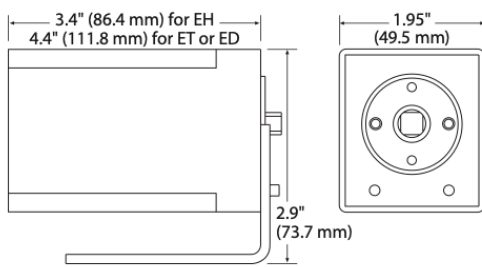
Universal actuator



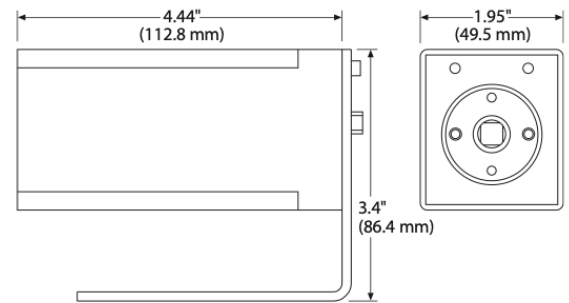
Air actuator



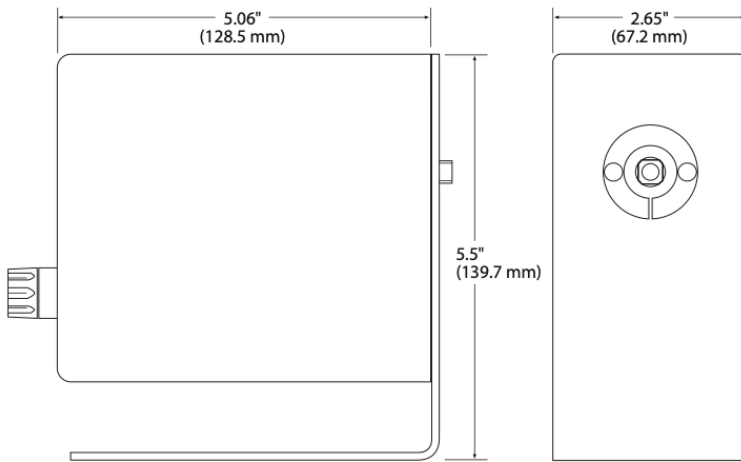
Microelectric actuator, two position



Microelectric actuator, multiposition



Standard electric actuator, two position



Standard electric actuator, multiposition

