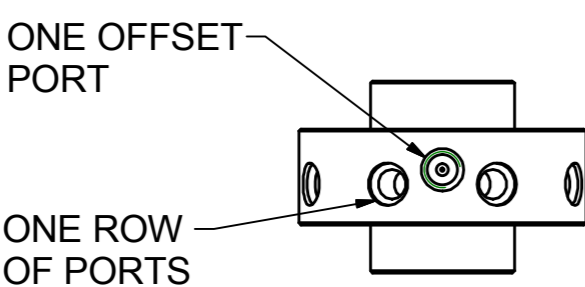
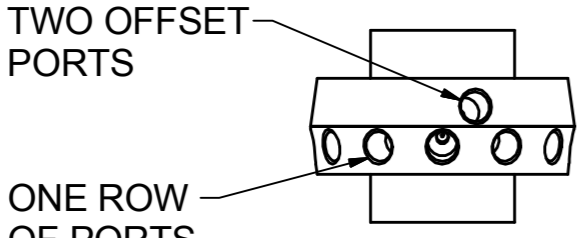
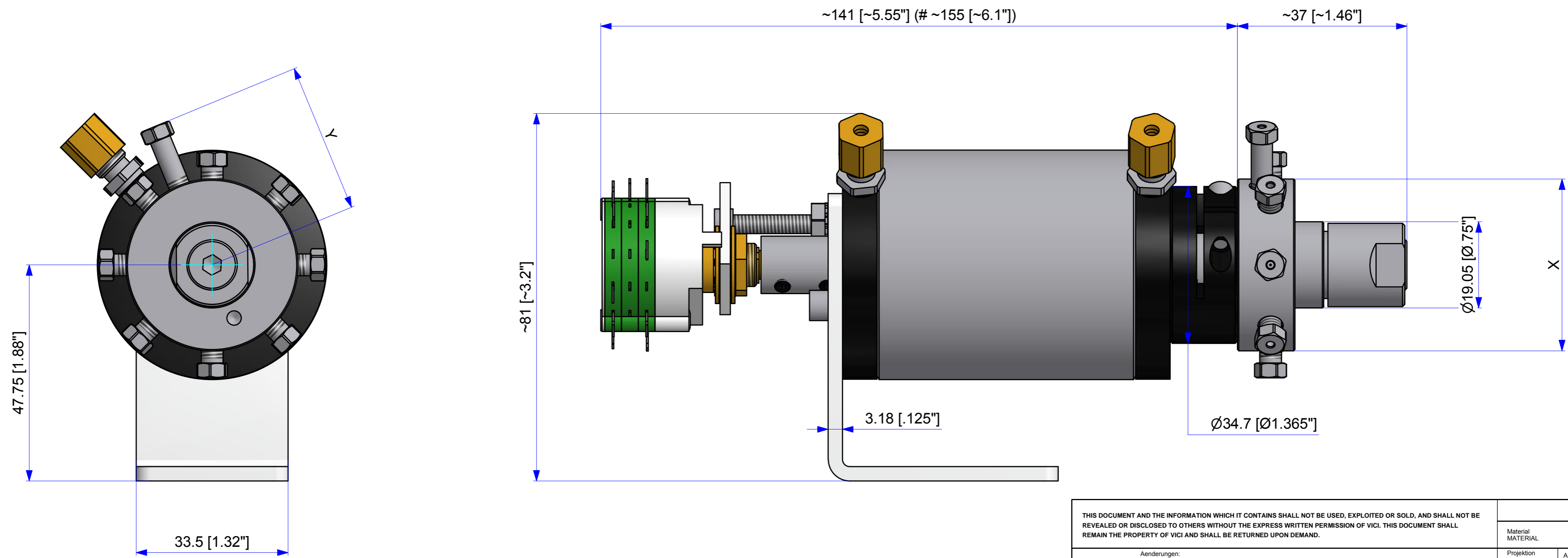
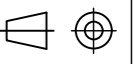



	Valve Type	Connections	No. of Pos.	X		Y	
				mm	Inch	mm	Inch
 <p>ONE OFFSET PORT</p> <p>ONE ROW OF PORTS</p>	CSD*UW	1/16"	4, 6, 8, 10	Ø38.1	Ø1.5"	~34.0	~1.34"
	CSD*UW	1/16"	12, 16	Ø34.9	Ø1.375"	~32.0	~1.25"
	SD*UW	1/8"	4, 6, 8	Ø44.45	Ø1.75"	~38.0	~1.50"
 <p>TWO OFFSET PORTS</p> <p>ONE ROW OF PORTS</p>	CST*UW	1/16"	4, 6	Ø34.9	Ø1.375"	~31.5	~1.24"
	ST4UW	1/8"	4	Ø44.45	Ø1.75"	~39.5	~1.56"

# All SD\*UW series 4, 6 + 8 pos. only require high torque air actuator



Dimension in mm [Inch]

THIS DOCUMENT AND THE INFORMATION WHICH IT CONTAINS SHALL NOT BE USED, EXPLOITED OR SOLD, AND SHALL NOT BE REVEALED OR DISCLOSED TO OTHERS WITHOUT THE EXPRESS WRITTEN PERMISSION OF VICI. THIS DOCUMENT SHALL REMAIN THE PROPERTY OF VICI AND SHALL BE RETURNED UPON DEMAND.				Material MATERIAL	Dimensionen DIMENSIONS
Anderungen: MODIFICATIONS:		Projektion PROJECTION	Allgemein Toleranzen GENERAL TOLERANCES		
PART NO.:			SN EN 22768-1/ ISO 2768		
Air actuator Multiposition Valve		Masstab SCALE	Gezeichnet DRAWN	19.03.2013	F.P.
with close-mount hdw. General dimensions		1.5:1	Geprüft / Freigegeben CHECKED/RELEASE	19.03.2013	FCo
Unterverz.: SUB DIREC.:		KUNDE			
Zeichnungs Nr. / DRAWING NO.		2 - GE - 5064.04			
		VICI AG International, CH-6214 Schenkon			