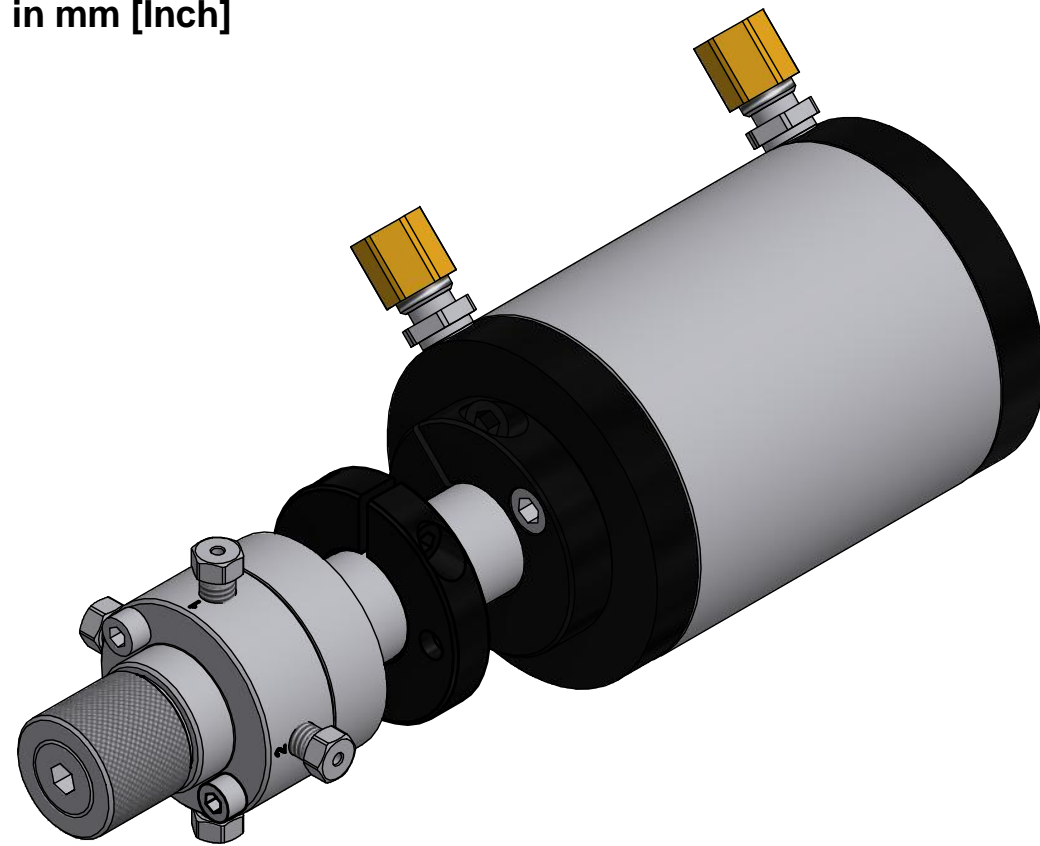


Dimension in mm [Inch]



Type	Connections	X		~Y	
		mm	Inch	mm	Inch
W	1/32"	Ø 25.4	Ø1"	32	1.25"
(Shown) W	1/16"	Ø 31.75	Ø1.25"	44	1.73"
UW	1/16"	Ø 38.1	Ø1.5"	49	1.93"
UW	1/8"	Ø 44.45	Ø1.75"	57.4	2.26"

THIS DOCUMENT AND THE INFORMATION WHICH IT CONTAINS SHALL NOT BE USED, EXPLOITED OR SOLD, AND SHALL NOT BE REVEALED OR DISCLOSED TO OTHERS WITHOUT THE EXPRESS WRITTEN PERMISSION OF VICI. THIS DOCUMENT SHALL REMAIN THE PROPERTY OF VICI AND SHALL BE RETURNED UPON DEMAND.

Aenderungen: a) 18.08.05 FP #460, Redrawn in Inventor
MODIFICATIONS:

PART NO.:

Material MATERIAL
Dimensionen DIMENSIONS
Allgemein Toleranzen GENERAL TOLERANCES
Projektion PROJECTION
SN EN 22768-1/ ISO 2768

Air actuated version W & UW- Type valves

with standoff assy. General dimensions

Masstab SCALE 1:1	Gezeichnet DRAWN 09.04.1997	F.P.
	Geprüft / Freigabe CHECKED/ RELEASE 18.08.2005	FCo
CAD Nr. CAD NO. 506001.idw		

Unterverz.: KUNDE
SUB DIREC.:

Zeichnungs Nr. / DRAWING NO.

VICI[®] VICI AG International, CH-6214 Schenkon

3 - GE - 5060.01 a