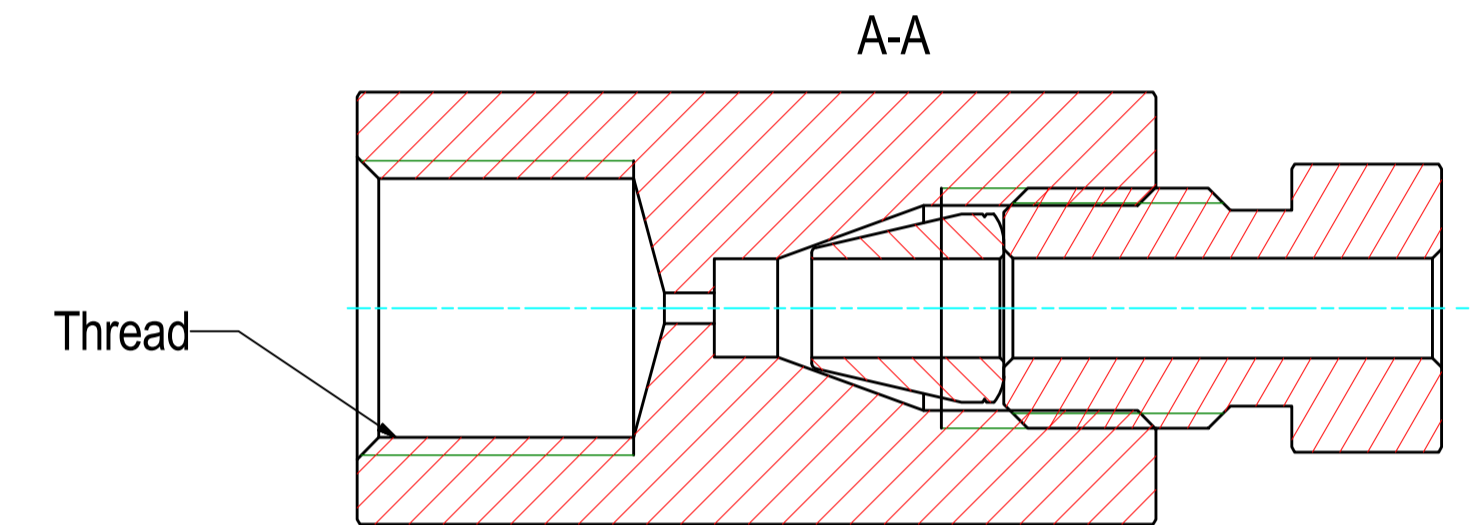
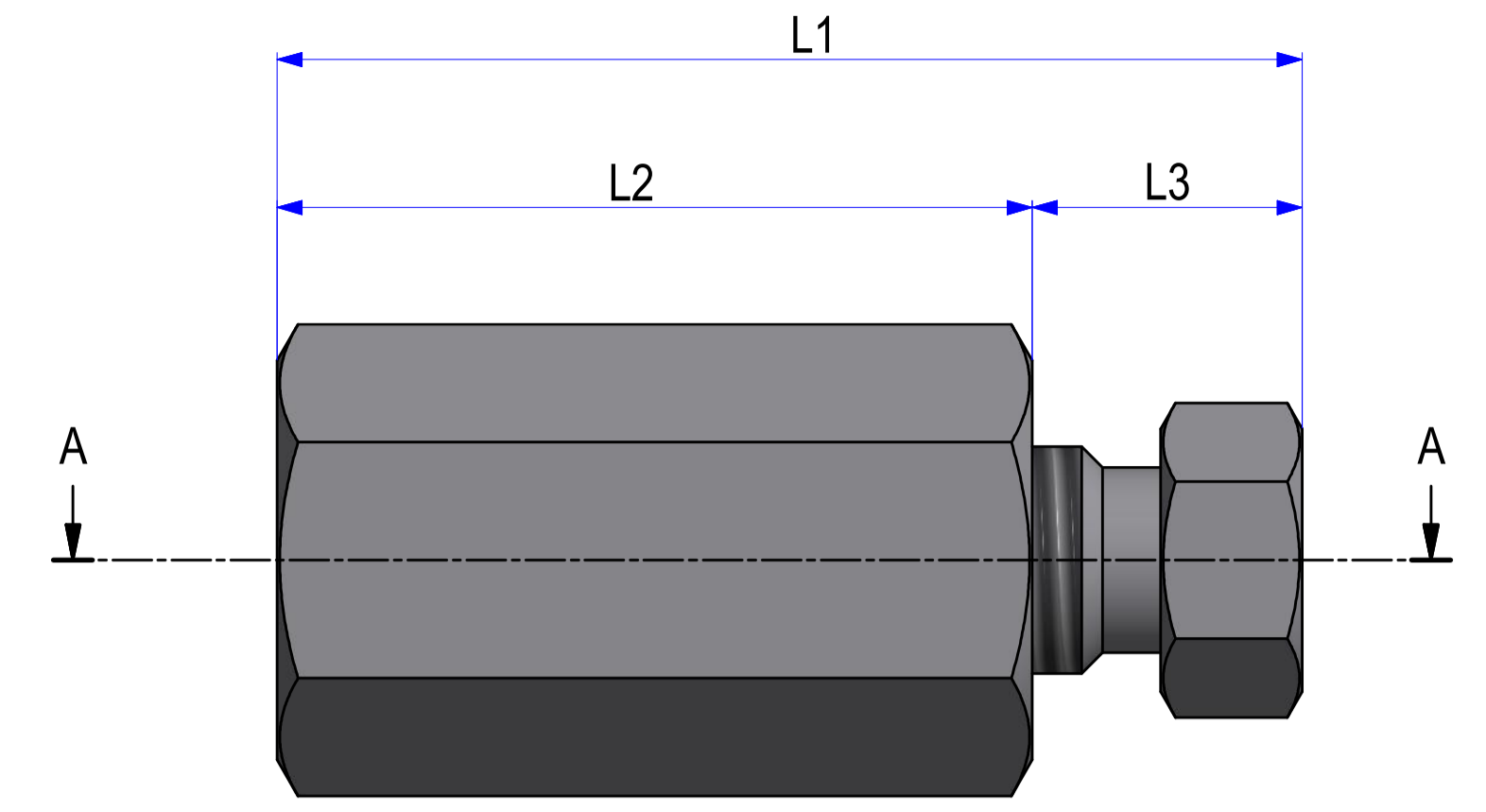
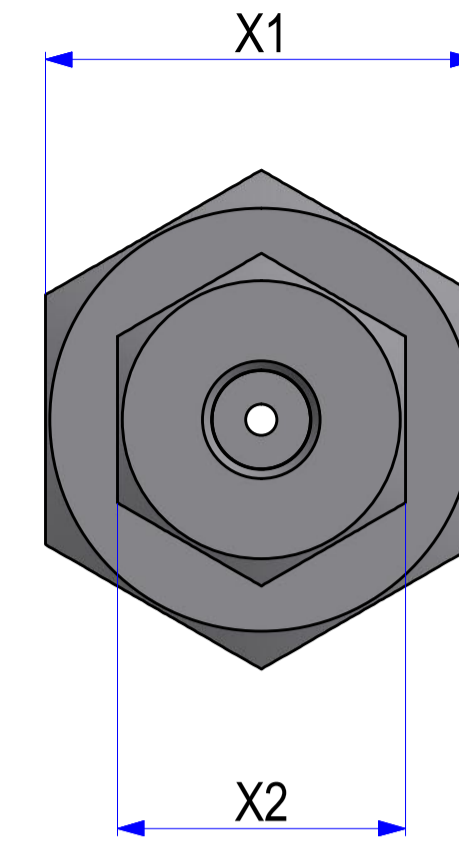


SHOWN PZA22



SHOWN FPZA22

*** different bores / different materials**

Part#	Description	L1		L2		L3		X1	X2	Thread
		mm	Inch	mm	Inch	mm	Inch			
PZA21*	1/8" male pipe to 1/16" fitting	~23.0	~0.91"	15.50	0.610"	~8.0	~0.313"	7/16" Hex	1/4" Hex	1/8"-27 NPT
PZA22*	1/8" male pipe to 1/8" fitting	~28.0	~1.10"	18.67	0.735"	~9.7	~0.383"	7/16" Hex	3/8" Hex	1/8"-27 NPT
PZA41*	1/4" male pipe to 1/16" fitting	~29.4	~1.16"	21.59	0.850"	~8.0	~0.313"	9/16" Hex	1/4" Hex	1/4"-18 NPT
PZA42*	1/4" male pipe to 1/8" fitting	~31.0	~1.22"	21.59	0.850"	~9.7	~0.383"	9/16" Hex	3/8" Hex	1/4"-18 NPT
FPZA21*	1/8" female pipe to 1/16" fitting	~30.0	~1.17"	22.35	0.880"	~8.0	~0.313"	9/16" Hex	1/4" Hex	1/8"-27 NPT
FPZA22*	1/8" female pipe to 1/8" fitting	~36.0	~1.42"	26.42	1.04"	~9.7	~0.383"	9/16" Hex	3/8" Hex	1/8"-27 NPT
FPZA41*	1/4" female pipe to 1/16" fitting	~35.0	~1.38"	27.18	1.07"	~8.0	~0.313"	3/4" Hex	1/4" Hex	1/4"-18 NPT
FPZA42*	1/4" female pipe to 1/8" fitting	~41.0	~1.62"	32.00	1.26"	~9.7	~0.383"	3/4" Hex	3/8" Hex	1/4"-18 NPT
FPZA81	1/2" female pipe to 1/16" fitting	~41.0	~1.61"	32.77	1.29"	~8.0	~0.313"	1" Hex	1/4" Hex	1/2"-14 NPT
FPZA82*	1/2" female pipe to 1/8" fitting	~46.7	~1.84"	36.96	1.455"	~9.7	~0.383"	1" Hex	3/8" Hex	1/2"-14 NPT

THIS DOCUMENT AND THE INFORMATION WHICH IT CONTAINS SHALL NOT BE USED, EXPLOITED OR SOLD, AND SHALL NOT BE REVEALED OR DISCLOSED TO OTHERS WITHOUT THE EXPRESS WRITTEN PERMISSION OF VICI. THIS DOCUMENT SHALL REMAIN THE PROPERTY OF VICI AND SHALL BE RETURNED UPON DEMAND.

Material: MATERIAL
 Dimension: DIMENSIONS
 Projection: PROJECTION
 General Tolerances: GENERAL TOLERANCES

Modifications: a) 10.05.16 FP #998, changed NPT thread length ECN# 21261

Part No.:
 Drawing No.:
 Date: 06.01.2006
 Author: F.P.
 Checked: F.Co
 Date: 10.05.2016
 File: 506069.idw
 User: KUNDE
 Drawing No.: 1 - GE - 5060.69 a

VICI® VICI AG International, CH-6214 Schenkon