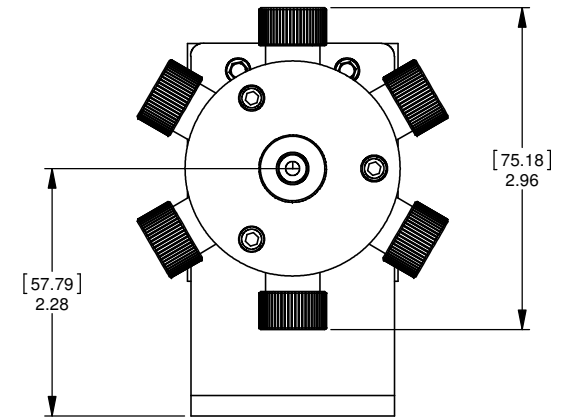
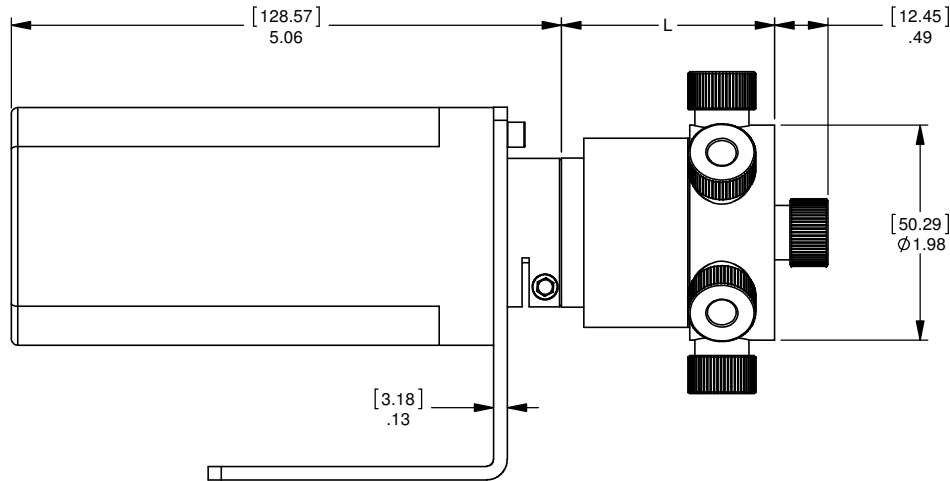
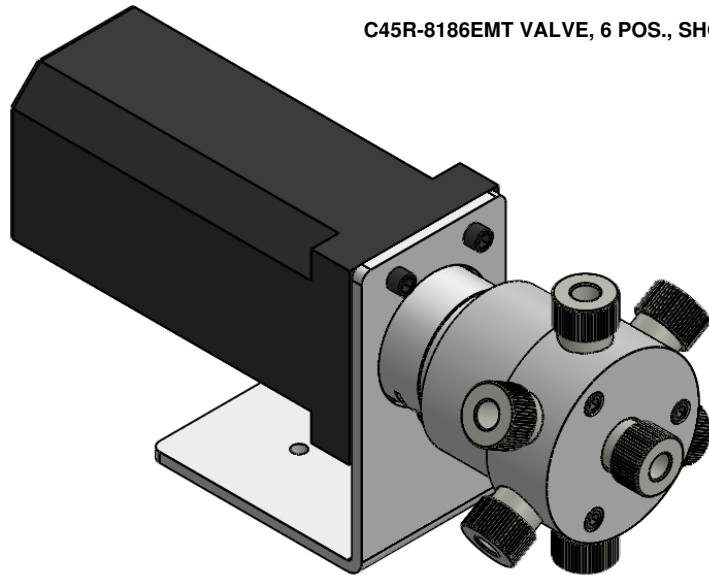


REVISIONS					
REV.	DESCRIPTION	DATE	INITIATED	APPROVED	DATE
A	CUSTOMER DRAWING	30DEC14	JACK R.		



C45R-8186EMT VALVE, 6 POS., SHOWN



DIMENSION IN INCH [MM]

PART NUMBER	DESCRIPTION	BORE		L	
		INCH	MM	INCH	MM
C45R-8146EMT	VLV., 6POS. (7 PORT)	Ø.13	Ø3.18	1.96	49.78
C45R-8186EMT	VLV., 6POS. (7 PORT)				
C45R-8148EMT	VLV., 8POS. (9 PORT)	Ø.11	Ø2.79	1.91	48.51
C45R-8788EMT	VLV., 8POS. (9 PORT)				

1/2-20 UNF THREADED FITTING DETAILS FOR USE WITH 1/4" OD TUBING

THIS DOCUMENT AND THE INFORMATION WHICH IT CONTAINS SHALL NOT BE USED, EXPLOITED OR SOLD, AND SHALL NOT BE REVEALED OR DISCLOSED TO OTHERS WITHOUT THE EXPRESSED WRITTEN PERMISSION OF VALCO. THIS DOCUMENT SHALL REMAIN THE PROPERTY OF VALCO AND SHALL BE RETURNED UPON DEMAND.					
TOLERANCES UNLESS OTHERWISE SPECIFIED: FRACTIONS DEC.					
SolidWorks®		Valco Instruments Co., Inc.			
		C45R VALVE, 1/2-20 UNF			
ANGULAR TOLERANCES NON ACCUMULATIVE					
FILE NAME	Y51287	DATE		30DEC14	
DRAWN	DEVAUGHN R.				
DESIGNED	ALEX P.	DO NOT SCALE DRAWING		SIZE	DRAWING NO.
CHECKED		SCALE		B	Y51287
SUB-DIR	M:\1Drawings Cust\	USA PROJECTION			SHEET 1 OF 1