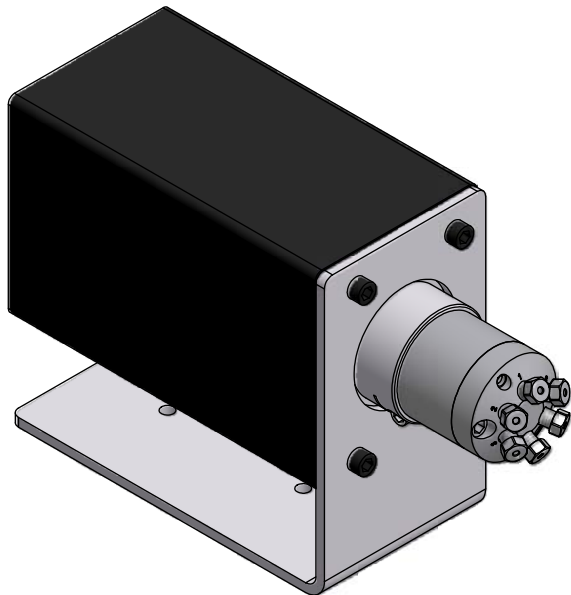


Dimension in mm [Inch]



Cheminert valve	X		Y	
	mm	Inch	mm	Inch
C2-* 4 or 6 port	Ø31.7	Ø1.25"	33	1.3"
C5-* 4 or 6 port	Ø31.7	Ø1.25"	33	1.3"
C2H-* 8 or 10 port	Ø34.9	Ø1.375"	35.1	1.38"
C5H-* 8 or 10 port	Ø34.9	Ø1.375"	35.1	1.38"
C72* 4 or 6 port	Ø31.7	Ø1.25"	38.1	1.5"
C72* 8 or 10 port	Ø34.9	Ø1.375"	40.2	1.58"
C75* 4 or 6 port	Ø31.7	Ø1.25"	38.1	1.5"
C75* 8 or 10 port	Ø34.9	Ø1.375"	40.2	1.58"

THIS DOCUMENT AND THE INFORMATION WHICH IT CONTAINS SHALL NOT BE USED, EXPLOITED OR SOLD, AND SHALL NOT BE REVEALED OR DISCLOSED TO OTHERS WITHOUT THE EXPRESS WRITTEN PERMISSION OF VICI. THIS DOCUMENT SHALL REMAIN THE PROPERTY OF VICI AND SHALL BE RETURNED UPON DEMAND.

Material: MATERIAL Dimension: DIMENSIONS

Projection: PROJECTION General Tolerances: GENERAL TOLERANCES

SIN EN 22768-1/ISO 2768

Part No.: _____

Cheminert HP valve with universal actuator

General dimensions

Unterw.: SUB DIREC.: KUNDE

Zeichnungs Nr. / DRAWING NO. 2 - GE - 5063.54

VICI® VICI AG International, CH-6214 Schenkon

Scale: 1:1

Gezeichnet: 11.11.2009 F.P.

Geprüft / Checked: 11.11.2009 FCo

CAD Nr.: 506354.idw