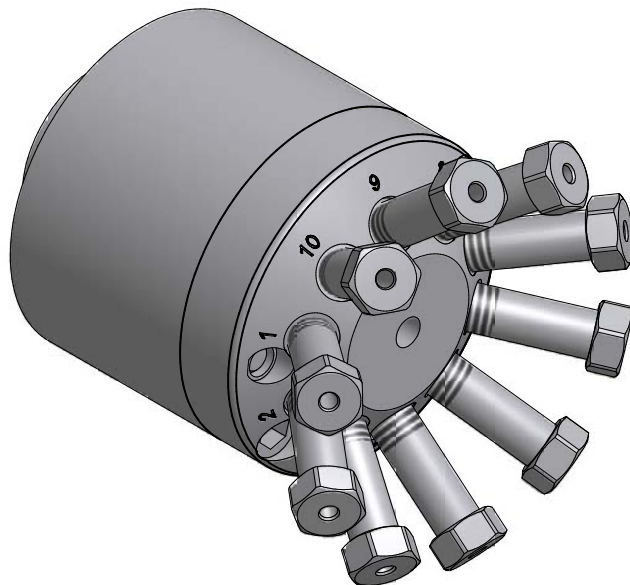


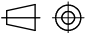

THREAD: 8-32 UNC
(2x)

SHOWN C2H-2000D



ANGLE OF ROTATION 36°

Dimension in mm [Inch]

THIS DOCUMENT AND THE INFORMATION WHICH IT CONTAINS SHALL NOT BE USED, EXPLOITED OR SOLD, AND SHALL NOT BE REVEALED OR DISCLOSED TO OTHERS WITHOUT THE EXPRESS WRITTEN PERMISSION OF VICI. THIS DOCUMENT SHALL REMAIN THE PROPERTY OF VICI AND SHALL BE RETURNED UPON DEMAND.		Material MATERIAL		Dimensionen DIMENSIONS	
Änderungen: MODIFICATIONS:		Projektion PROJECTION		Allgemein Toleranzen GENERAL TOLERANCES	
PART NO.: C2H-*				SN EN 22768-1/ ISO 2768	
C2 Cheminert Valve 8 or 10 Port		Masstab SCALE	Gezeichnet DRAWN	02.09.2005	F.P.
		2:1	Geprüft / Freigabe CHECKED/RELEASE	02.09.2005	FCo
General dimensions		CAD Nr. CAD NO.	506053.idw		
Unterverz.: SUB DIRC.: KUNDE		Zeichnungs Nr. / DRAWING NO.			
 VICI AG International, CH-6214 Schenkon		3 - GE - 5060.53			