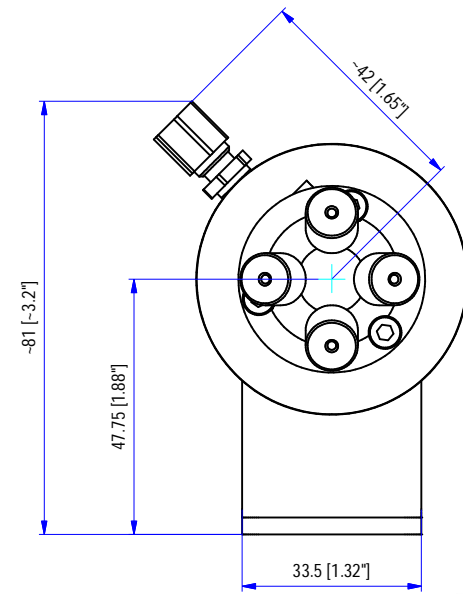
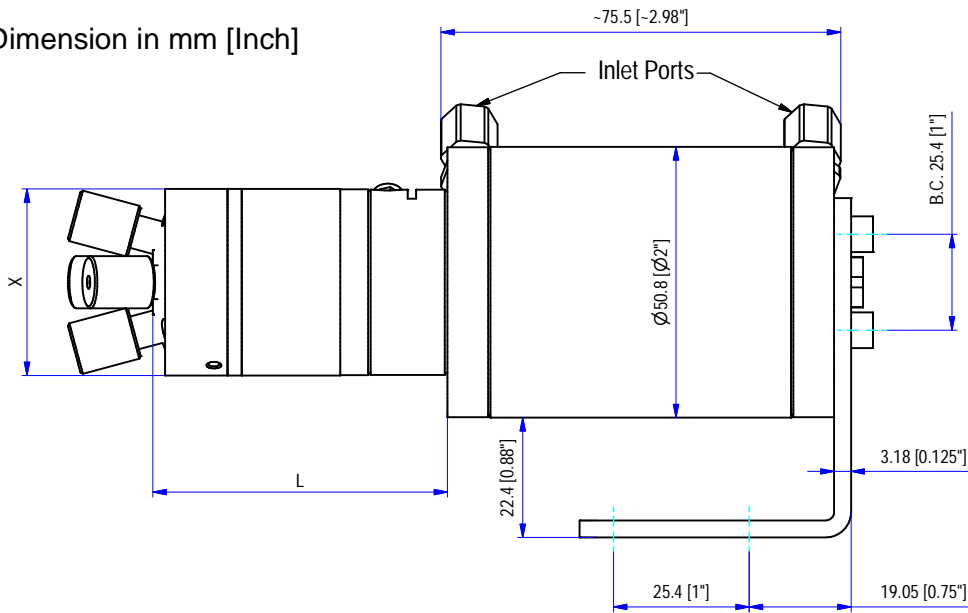
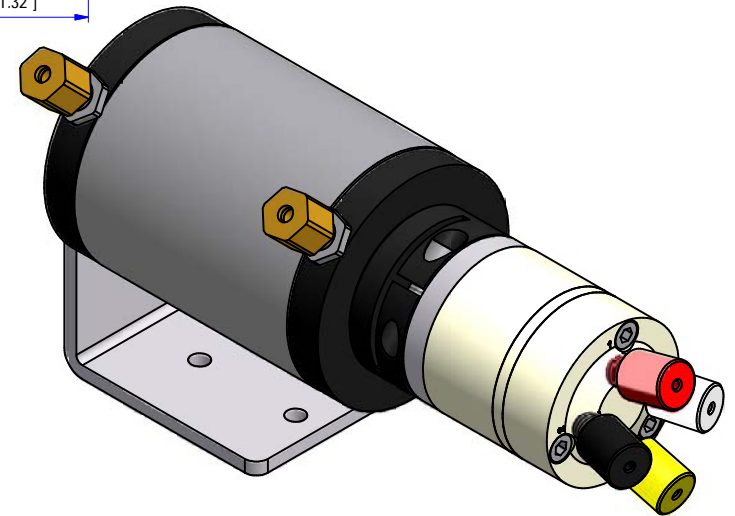


Dimension in mm [Inch]



2 pos. 4 port C22 valve shown



Serie	Description	Fitting	X	L
C22 2 pos.	4 and 6 port	1/4"-28	Ø34.93 mm Ø1.375"	54.86 mm 2.16"
C22Z 2 pos.	4, 6, 8 and 10 port	1/16" ZDV	Ø34.93 mm Ø1.375"	54.86 mm 2.16"
C22 2 pos.	8 and 10 port	1/4"-28	Ø44.2 mm Ø1.74"	57.8 mm 2.275"
C25Z mpos.	4, 6, 8, 10 and 14 position	1/16" ZDV	Ø34.93 mm Ø1.375"	54.86 mm 2.16"
C25 mpos.	4 and 6 position	1/4"-28	Ø34.93 mm Ø1.375" mm	54.86 mm 2.16"
C25 mpos.	8 and 10 position	1/4"-28	Ø44.2 mm Ø1.74" mm	57.8 mm 2.275"

THIS DOCUMENT AND THE INFORMATION WHICH IT CONTAINS SHALL NOT BE USED, EXPLOITED OR SOLD, AND SHALL NOT BE REVEALED OR DISCLOSED TO OTHERS WITHOUT THE EXPRESS WRITTEN PERMISSION OF VICI. THIS DOCUMENT SHALL REMAIN THE PROPERTY OF VICI AND SHALL BE RETURNED UPON DEMAND.

Aenderungen: a) 01.09.05 FP #465, Redrawn in Inventor  
MODIFICATIONS:

PART NO.:

Material MATERIAL	Dimensionen DIMENSIONS
Projektion PROJECTION	Allgemein Toleranzen GENERAL TOLERANCES
SN EN 22768-1/ISO 2768	

## Air actuated cheminert low pressure valves

C22-C25 Series. General dimensions



VICI AG International, CH-6214 Schenkon

Masstab SCALE	Gezeichnet DRAWN	15.11.2000	F.P.
1:1	Gepflicht / Freigabe CHECKED/RELEASE	01.09.2005	FCo
CAD Nr. CAD NO.	506029.idw		

Unterverz.:  
SUB DIRC.: KUNDE

Zeichnungs Nr. / DRAWING NO.

3 - GE - 5060.29 a