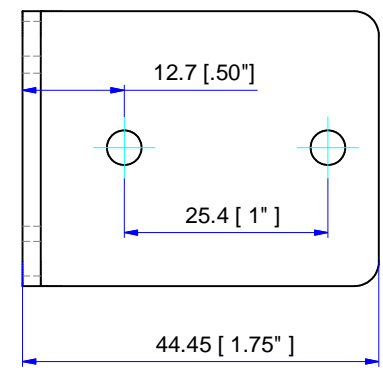
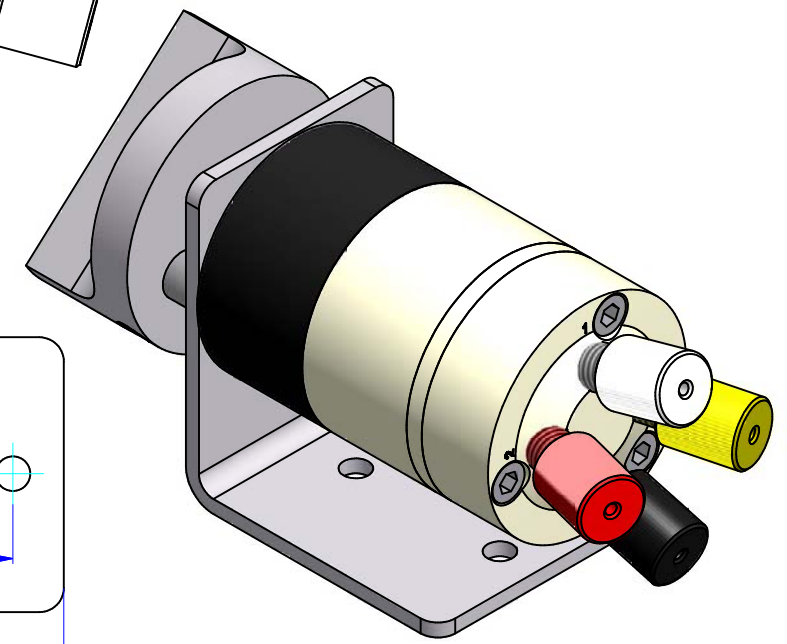


2 pos. 4 port C22 valve shown



Dimension in mm [Inch]

Serie	Description	Fitting	X	L
C22 2 pos.	4 and 6 port	1/4"-28	Ø34.9 mm Ø1.375"	53.3 mm 2.1"
C22Z 2 pos.	4, 6, 8 and 10 port	1/16" ZDV	Ø34.9 mm Ø1.375"	53.3 mm 2.1"
C22 2 pos.	8 and 10 port	1/4"-28	Ø44.2 mm Ø1.74"	56.3 mm 2.215"
C25Z mpos.	4, 6, 8, 10 and 14 position	1/16" ZDV	Ø34.9 mm Ø1.375"	53.3 mm 2.1"
C25 mpos.	4 and 6 position	1/4"-28	Ø34.9 mm Ø1.375"	53.3 mm 2.1"
C25 mpos.	8 and 10 position	1/4"-28	Ø44.2 mm Ø1.74"	56.3 mm 2.215"

THIS DOCUMENT AND THE INFORMATION WHICH IT CONTAINS SHALL NOT BE USED, EXPLOITED OR SOLD, AND SHALL NOT BE REVEALED OR DISCLOSED TO OTHERS WITHOUT THE EXPRESS WRITTEN PERMISSION OF VICI. THIS DOCUMENT SHALL REMAIN THE PROPERTY OF VICI AND SHALL BE RETURNED UPON DEMAND.

Aenderungen: a) 16.11.00 FP #224, chg. length L  
MODIFICATIONS: b) 01.04.05 FP #445, Redrawn in Inventor

Gezeichnet DRAWN 15.07.1998 F.P.  
Geprüft / Freigabe CHECKED/RELEASE 01.04.2005 FCo  
CAD Nr. 506017.idw  
CAD NO.

Unterverz.: KUNDE  
SUB DIREC.: KUNDE

Zeichnungs Nr. / DRAWING NO. 3 - GE - 5060.17 b

Material MATERIAL Dimensionen DIMENSIONS  
Allgemein Toleranzen GENERAL TOLERANCES  
SN EN 22768-1/ISO 2768

Manual Cheminert  
low pressure valves  
C22-C25 Series, General dimensions

VICI® VICI AG International, CH-6214 Schenkon