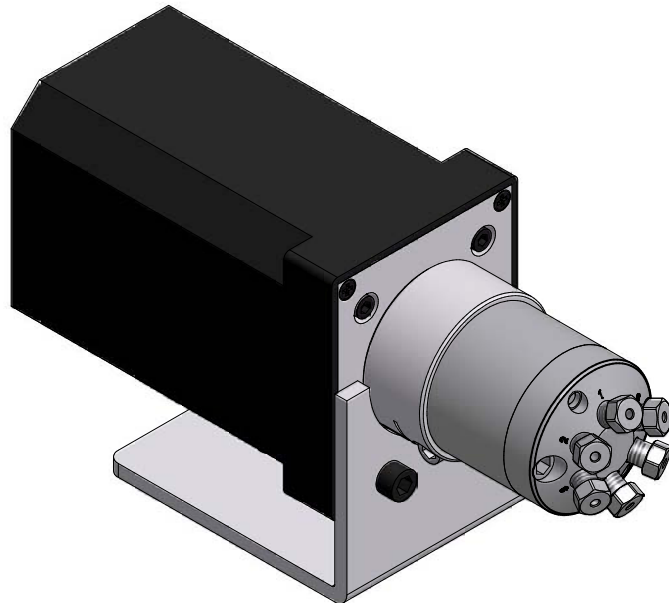


Dimension in mm [Inch]



Cheminert valve	X		Y	
	mm	Inch	mm	Inch
C2-* 4 or 6 port	Ø31.7	Ø1.25"	33	1.3"
C2H-* 8 or 10 port	Ø34.9	Ø1.375"	35.1	1.38"
C72* 4 or 6 port	Ø31.7	Ø1.25"	38.1	1.5"
C72* 8 or 10 port	Ø34.9	Ø1.375"	40.2	1.58"

THIS DOCUMENT AND THE INFORMATION WHICH IT CONTAINS SHALL NOT BE USED, EXPLOITED OR SOLD, AND SHALL NOT BE REVEALED OR DISCLOSED TO OTHERS WITHOUT THE EXPRESS WRITTEN PERMISSION OF VICI. THIS DOCUMENT SHALL REMAIN THE PROPERTY OF VICI AND SHALL BE RETURNED UPON DEMAND.

Aenderungen: a) 22.08.05 FP #461, Redrawn in Inventor
 MODIFICATIONS: b) 28.03.07 FP #521, added table

PART NO.:

Material MATERIAL Dimensionen DIMENSIONS

Projektion PROJECTION Allgemein Toleranzen GENERAL TOLERANCES

SN EN 22768-1/ ISO 2768

Masstab SCALE: 1:1 Gezeichnet DRAWN: 31.10.1997 F.P.
 Geprüft / Freigegeben CHECKED/RELEASE: 29.03.2007 FCo
 CAD Nr.: 506006.idw CAD NO.:

Unterverz.: SUB DIR.: KUNDE Zeichnungs Nr. / DRAWING NO.:

3 - GE - 5060.06 b

VICI VICI AG International, CH-6214 Schenkon