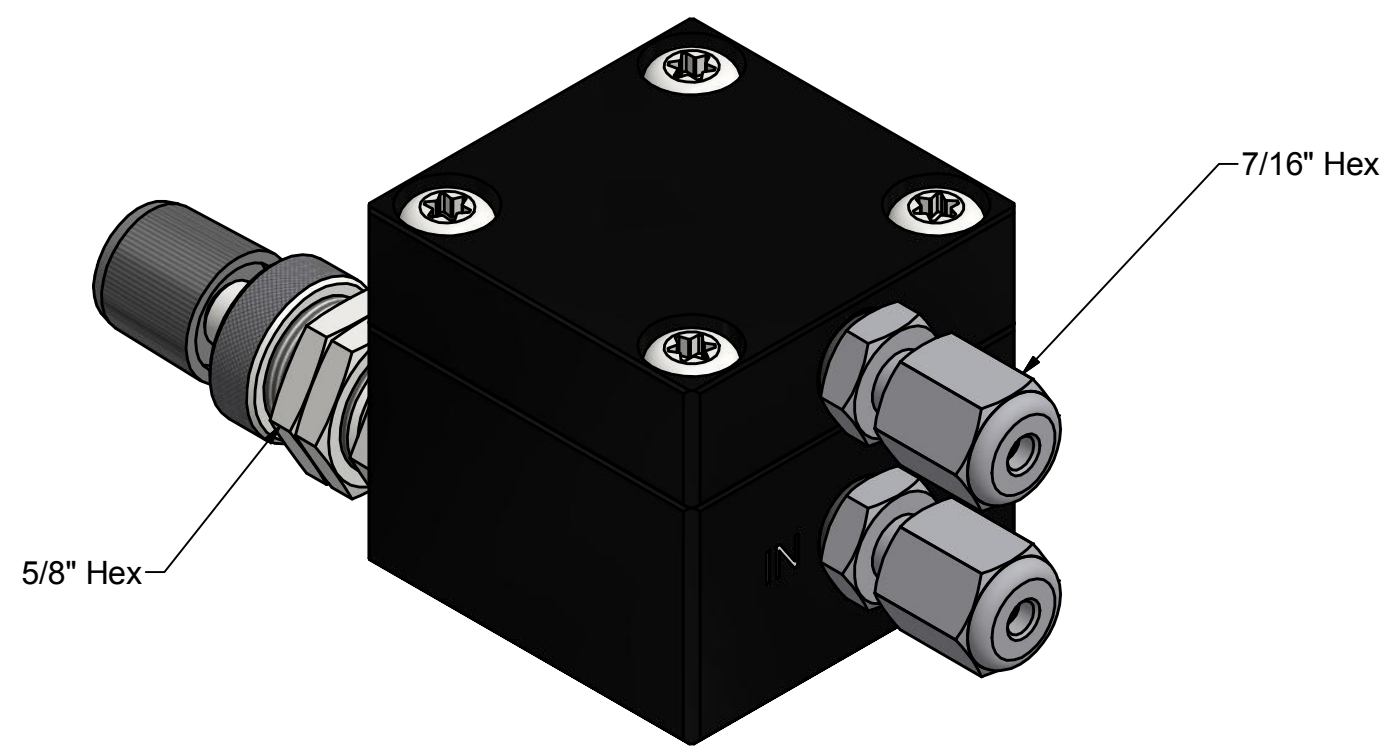


8-32 UNC Thread
7.6 [.3"] deep

SHOWN FC30AS1K



Dimension in mm [Inch]

| | | | | | |
|---|--|----------------------------------|--|--------------------------|--|
| THIS DOCUMENT AND THE INFORMATION WHICH IT CONTAINS SHALL NOT BE USED, EXPLOITED OR SOLD, AND SHALL NOT BE REVEALED OR DISCLOSED TO OTHERS WITHOUT THE EXPRESS WRITTEN PERMISSION OF VICI. THIS DOCUMENT SHALL REMAIN THE PROPERTY OF VICI AND SHALL BE RETURNED UPON DEMAND. | | | | Material MATERIAL | Dimensionen DIMENSIONS |
| Aenderungen: MODIFICATIONS: | | | | Projektion PROJECTION | Allgemein Toleranzen GENERAL TOLERANCES |
| PART NO.: FC30* | | | | | |
| SN EN 22768-1/ ISO 2768 | | | | | |
| Gas flow controller Model 300 | | Masstab SCALE | Gezeichnet DRAWN | 17.01.2013 | F.P. |
| | | 1.5:1 | Geprüft / Freigabe CHECKED/ RELEASE | 17.01.2013 | FCo |
| General dimensions | | CAD Nr. CAD NO. | | 506399.idw | |
| | | Unterverz.: SUB DIREC.: KUNDE | | | |
| | | Zeichnungs Nr. / DRAWING NO. | | | |
| VICI AG International, CH-6214 Schenkon | | 3 - GE - 5063.99 | | | |