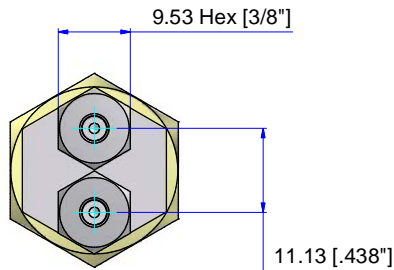
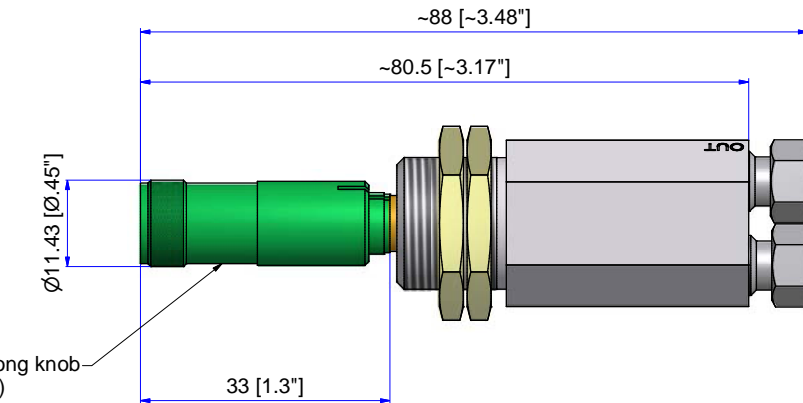
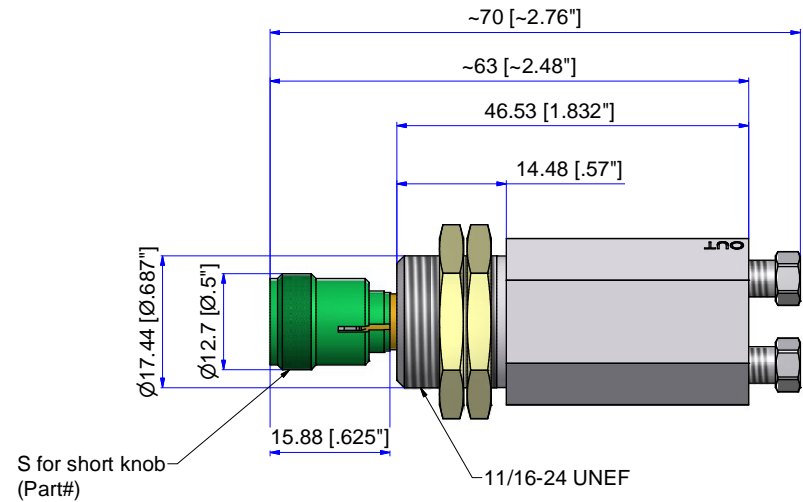


Shown CVA10GS1



Shown CVA10GL2



| Maximum flow @ 40 psi He or N2 | Knob color | 1/16" Valco fittings | |
|-----------------------------------|---------------|----------------------|-----------|
| | | Prod No | Prod No |
| 10 ml/min | Green | CVA10GS1 | CVA10GS2 |
| | Green | CVA10GL1 | CVA10GL2 |
| 50 ml/min | Red | CVA50RS1 | CVA50RS2 |
| | Red | CVA50RL1 | CVA50RL2 |
| 150 ml/min | Blue | CVA150US1 | CVA150US2 |
| | Blue | CVA150UL1 | CVA150UL2 |
| 500 ml/min | Black | CVA500BS1 | CVA500BS2 |
| | Black | CVA500BL1 | CVA500BL2 |
| 1 liter/min | Yellow | CVA1KYS1 | CVA1KYS2 |
| | Yellow | CVA1KYL1 | CVA1KYL2 |

Dimension in mm [Inch]

THIS DOCUMENT AND THE INFORMATION WHICH IT CONTAINS SHALL NOT BE USED, EXPLOITED OR SOLD, AND SHALL NOT BE REVEALED OR DISCLOSED TO OTHERS WITHOUT THE EXPRESS WRITTEN PERMISSION OF VICI. THIS DOCUMENT SHALL REMAIN THE PROPERTY OF VICI AND SHALL BE RETURNED UPON DEMAND.

Material: MATERIAL
Dimension: DIMENSIONS

Projection: PROJECTION
Algemein-Toleranzen: GENERAL TOLERANCES
SN EN 22768-1/ISO 2768

Änderungen: a) 16.05.12 FP #688, added list
MODIFICATIONS: a) 16.05.12 FP #688, added list

PART NO.: CVA*
SUB DIR.: KUNDE

Meßstab SCALE: 2:1
Gezeichnet DRAWN: 08.05.2012 F.P.
Geprüft / Freigegeben CHECKED / RELEASED: 16.05.2012 FCo
CAD Nr.: 506393.idw

General dimensions
Zeilungs-Nr. / DRAWING NO. 3 - GE - 5063.93 a

VICI® VICI AG International, CH-6214 Schenkon