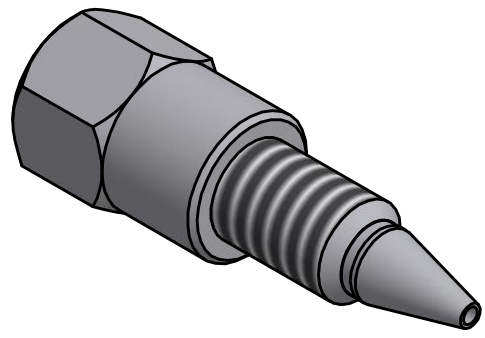


SHOWN C360NFS6



Dimension in mm [Inch]

<p>THIS DOCUMENT AND THE INFORMATION WHICH IT CONTAINS SHALL NOT BE USED, EXPLOITED OR SOLD, AND SHALL NOT BE REVEALED OR DISCLOSED TO OTHERS WITHOUT THE EXPRESS WRITTEN PERMISSION OF VICI. THIS DOCUMENT SHALL REMAIN THE PROPERTY OF VICI AND SHALL BE RETURNED UPON DEMAND.</p>		Material MATERIAL	Dimensionen DIMENSIONS
<p>Aenderungen: MODIFICATIONS:</p>		Projektion PROJECTION	Allgemein Toleranzen GENERAL TOLERANCES
<p>PART NO.: C360NF*</p>			<p>SN EN 22768-1/ ISO 2768</p>
<p><b>Snap-fitting 360 µm Nut &amp; ferrule assy</b></p> <p>General dimensions</p>		<p>Masstab SCALE</p> <p>7:1</p>	<p>Gezeichnet DRAWN</p> <p>04.11.2011</p> <p>F.P.</p> <p>Geprüft / Freigabe CHECKED/ RELEASE</p> <p>04.11.2011</p> <p>FCo</p> <p>CAD Nr. CAD NO.</p> <p>622305.idw</p>
<p><b>VICI</b><sup>®</sup> VICI AG International, CH-6214 Schenkon</p>		<p>Unterverz.: SUB DIREC.: FITT</p> <p>Zeichnungs Nr. / DRAWING NO.</p> <p><b>4 - GE - 6223.05</b></p>	