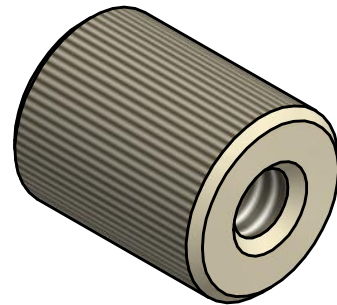


Dimension in mm [Inch]



THIS DOCUMENT AND THE INFORMATION WHICH IT CONTAINS SHALL NOT BE USED, EXPLOITED OR SOLD, AND SHALL NOT BE REVEALED OR DISCLOSED TO OTHERS WITHOUT THE EXPRESS WRITTEN PERMISSION OF VICI. THIS DOCUMENT SHALL REMAIN THE PROPERTY OF VICI AND SHALL BE RETURNED UPON DEMAND.

PEEK

Material  
MATERIAL

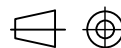
Dimensionen  
DIMENSIONS

Aenderungen:  
MODIFICATIONS:

Projektion  
PROJECTION

Allgemein Toleranzen  
GENERAL TOLERANCES

PART NO.:  
C360CPKX



SN EN 22768-1/ ISO 2768

# Cap for fitting detail 360 µm

General dimensions

Masstab  
SCALE

6:1

Gezeichnet  
DRAWN

27.03.2007

F.P.

Geprüft / Freigabe  
CHECKED/ RELEASE

18.09.2007

FCo

CAD Nr.  
CAD NO.

622304.idw

Unterverz.:  
SUB DIREC.:

FITT

Zeichnungs Nr. / DRAWING NO.

4-GE-6223.04



VICI AG International, CH-6214 Schenkon