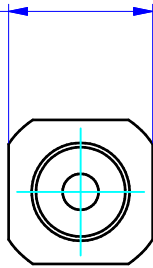
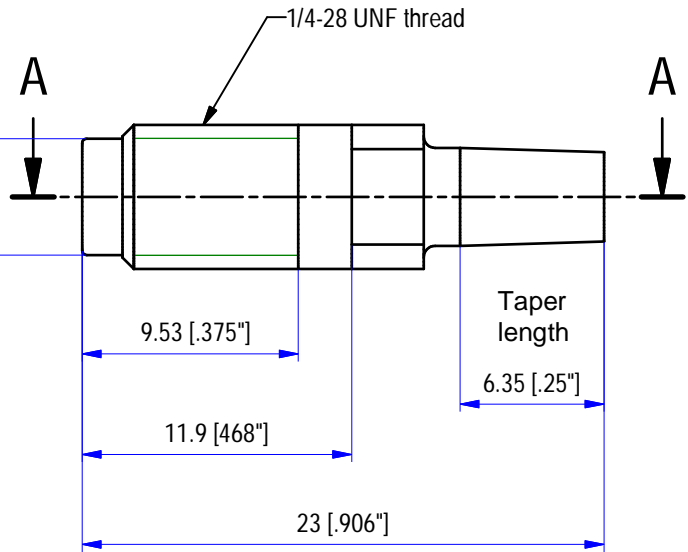


6.35 SQ. [.25"]

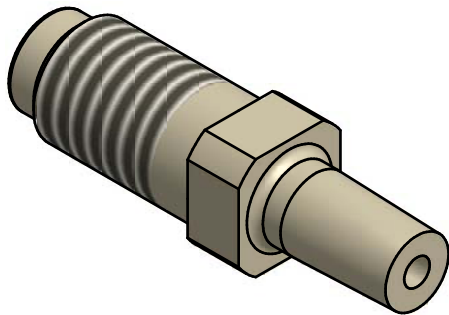
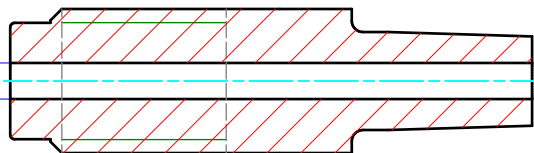


Ø5.13 [Ø.202"]



Ø1.6 [Ø.062"]

A-A



Part#	Material
CMLAPFA	PFA
CMLAKF	CTFE (KEL-F)
CMLAPK	PEEK

Dimension in mm [Inch]

THIS DOCUMENT AND THE INFORMATION WHICH IT CONTAINS SHALL NOT BE USED, EXPLOITED OR SOLD, AND SHALL NOT BE REVEALED OR DISCLOSED TO OTHERS WITHOUT THE EXPRESS WRITTEN PERMISSION OF VICI. THIS DOCUMENT SHALL REMAIN THE PROPERTY OF VICI AND SHALL BE RETURNED UPON DEMAND.

Material
MATERIAL

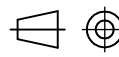
Dimensionen
DIMENSIONS

Aenderungen:
MODIFICATIONS:

Projektion
PROJECTION

Allgemein Toleranzen
GENERAL TOLERANCES

PART NO.:
CMLA*



SN EN 22768-1/ ISO 2768

**Adaptor
Male Iuer**

General dimensions

Masstab
SCALE

3:1

Gezeichnet
DRAWN

30.07.2008

F.P.

Geprüft / Freigabe
CHECKED/ RELEASE

30.07.2008

FCo

CAD Nr.
CAD NO.

506340.idw

Unterverz.:
SUB DIREC.:

KUNDE

Zeichnungs Nr. / DRAWING NO.

4 - GE - 5063.40

VICI®

VICI AG International, CH-6214 Schenkon