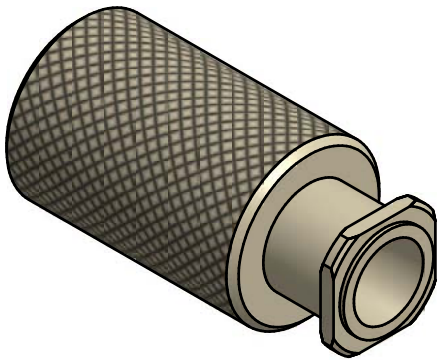
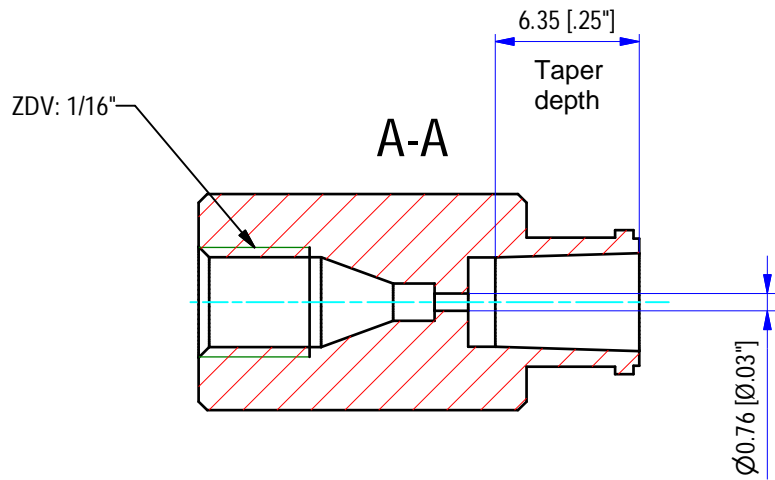
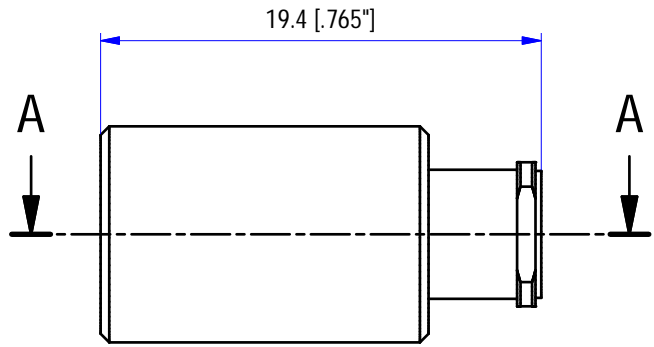
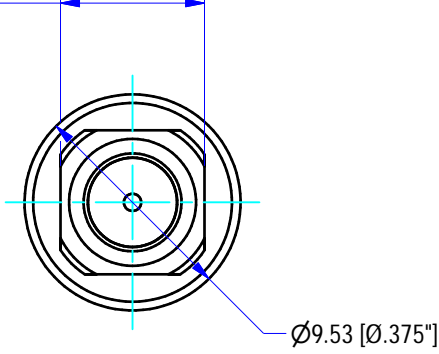


6.35 SQ. [.25"]



Part#	Material
ZUFLKF	CTFE (KEL-F)
ZUFLPK	PEEK

Dimension in mm [Inch]

THIS DOCUMENT AND THE INFORMATION WHICH IT CONTAINS SHALL NOT BE USED, EXPLOITED OR SOLD, AND SHALL NOT BE REVEALED OR DISCLOSED TO OTHERS WITHOUT THE EXPRESS WRITTEN PERMISSION OF VICI. THIS DOCUMENT SHALL REMAIN THE PROPERTY OF VICI AND SHALL BE RETURNED UPON DEMAND.

Material MATERIAL	Dimensionen DIMENSIONS
Projektion PROJECTION	Allgemein Toleranzen GENERAL TOLERANCES
	SN EN 22768-1/ ISO 2768

Aenderungen:
MODIFICATIONS:

PART NO.:
ZUFL*

Adaptor 1/16" x female luer

General dimensions

Masstab SCALE	Gezeichnet DRAWN	30.07.2008	F.P.
	Geprüft / Freigabe CHECKED/ RELEASE	30.07.2008	FCo
	CAD Nr. CAD NO.	506339.idw	

Unterverz.:
SUB DIREC.: KUNDE

Zeichnungs Nr. / DRAWING NO.

4 - GE - 5063.39



VICI AG International, CH-6214 Schenkon