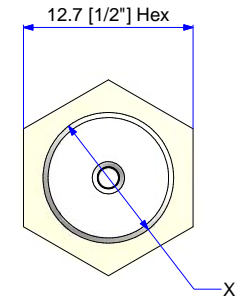
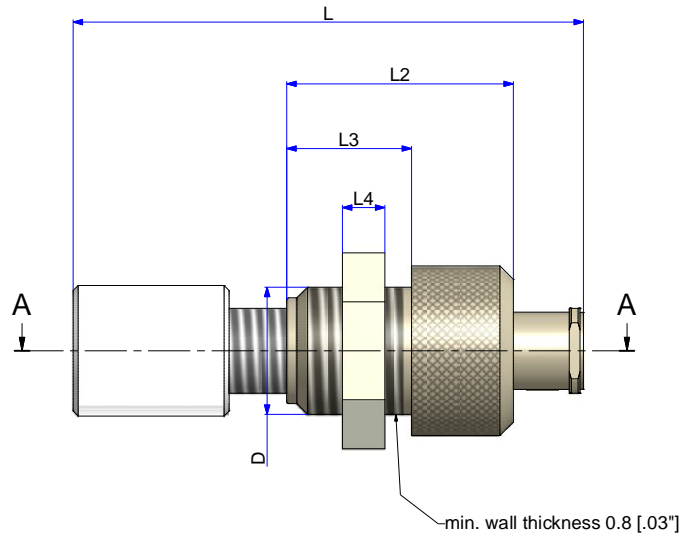
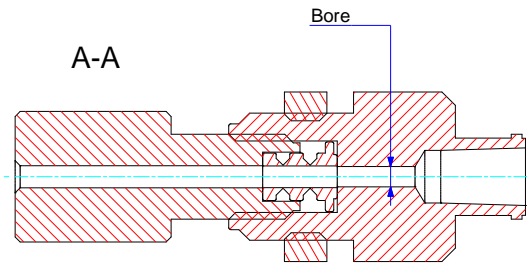


Ø12.7 [Ø0.5"]



SHOWN CBUFLPK



Part#	Description	Bore		D		L		L2		L3		L4		X	
		mm	Inch	mm	Inch	mm	Inch	mm	Inch	mm	Inch	mm	Inch	mm	Inch
CBUFLPK	Bulkhead union female luer to 1/4-28, PEEK	Ø1.50	Ø.060"	Ø9.5	Ø.375"	-38.0	-1.50"	17.02	.670"	9.40	.370"	3.18	.125"	Ø9.78	Ø.385"
CBUFLKF	Bulkhead union female luer to 1/4-28, CTFE	Ø1.50	Ø.060"	Ø9.5	Ø.375"	-38.0	-1.50"	17.02	.670"	9.40	.370"	3.18	.125"	Ø9.78	Ø.385"
ZBUFLPK	Bulkhead union female luer to 10-32, PEEK	Ø1.00	Ø.040"	Ø8.0	Ø.313"	-33.0	-1.30"	19.94	.785"	12.32	.485"	4.77	.188"	6.35 Hex	1/4" Hex
ZBUFLKF	Bulkhead union female luer to 10-32, CTFE	Ø1.00	Ø.040"	Ø8.0	Ø.313"	-33.0	-1.30"	19.94	.785"	12.32	.485"	4.77	.188"	6.35 Hex	1/4" Hex

THIS DOCUMENT AND THE INFORMATION WHICH IT CONTAINS SHALL NOT BE USED, EXPLOITED OR SOLD, AND SHALL NOT BE REPRODUCED OR DISCLOSED TO OTHERS WITHOUT THE EXPRESS WRITTEN PERMISSION OF VICI. THIS DOCUMENT SHALL REMAIN THE PROPERTY OF VICI AND SHALL BE RETURNED UPON DEMAND.

Änderungen / MODIFICATIONS: a) 21.01.09 FP #568, added information

Material	Dimensions
Production	General Tolerances
EN 62278-1 ISO 2768	

Part No.:

Luer adapter bulkhead unions, polymeric, Luer to *

General dimensions

Master Scale	Customer Drawing	26.02.2008	F.P.
5:1	Drawn/Checked	21.01.2009	F.C.
	CAD No.	506324_idw	
Drawn/Checked	KUNDE		

Ziehungs Nr. / DRAWING NO. 1 - GE - 5063.24 a

VICI VICI AG International, CH-6214 Schenkon