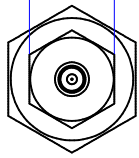
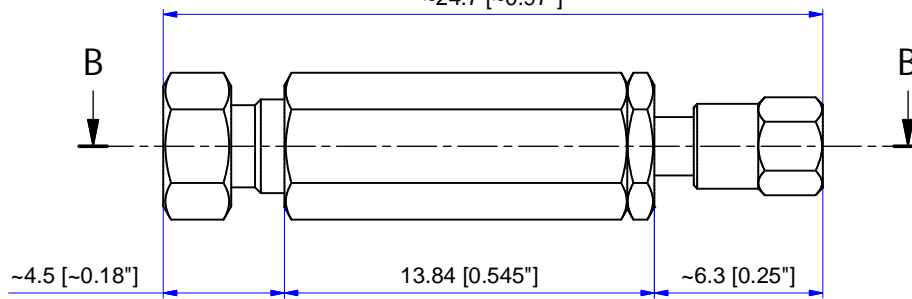


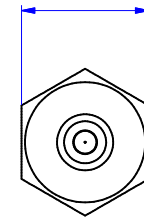
3.18 [1/8"] Hex



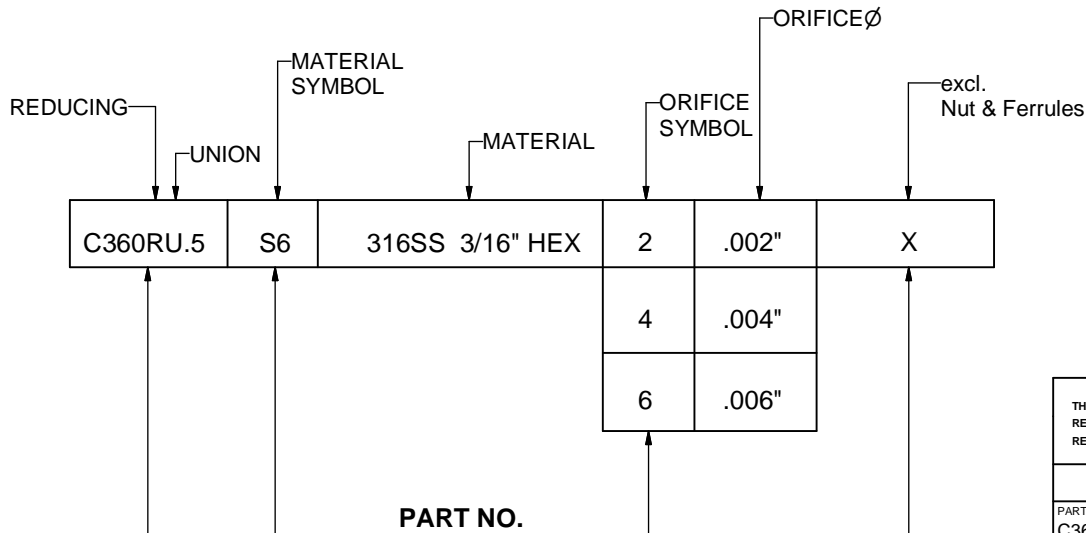
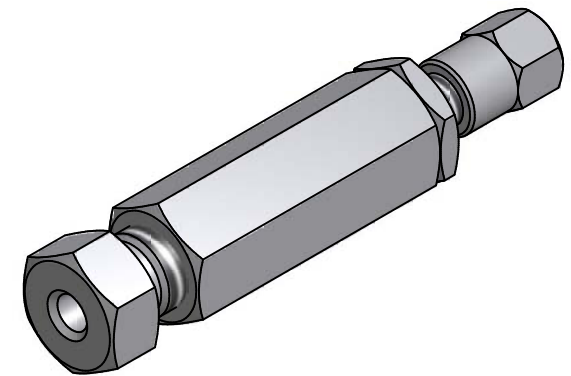
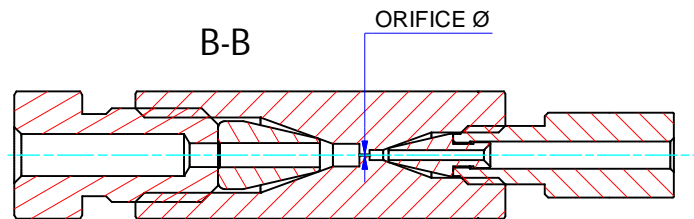
~24.7 [~0.97"]



4.76 [3/16"] Hex



SHOWN C360RU.5S62



Dimension in mm [Inch]

THIS DOCUMENT AND THE INFORMATION WHICH IT CONTAINS SHALL NOT BE USED, EXPLOITED OR SOLD, AND SHALL NOT BE REVEALED OR DISCLOSED TO OTHERS WITHOUT THE EXPRESS WRITTEN PERMISSION OF VICI. THIS DOCUMENT SHALL REMAIN THE PROPERTY OF VICI AND SHALL BE RETURNED UPON DEMAND.		Material MATERIAL	Dimensionen DIMENSIONS
Aenderungen: MODIFICATIONS:		Projektion PROJECTION	Allgemein Toleranzen GENERAL TOLERANCES
PART NO.: C360RU.5S6*			SN EN 22768-1/ISO 2768
Reducing-union 1/32 x 360 µm		Masstab SCALE 5:1	Gezeichnet DRAWN 17.09.2007 F.P. Geprüft / Freigabe CHECKED/RELEASE 17.09.2007 FCo CAD Nr. CAD NO. 506309.idw
General dimensions		Unterverz.: SUB DIREC.: KUNDE	
		Zeichnungs Nr. / DRAWING NO.	
VICI AG International, CH-6214 Schenkon		3 - GE - 5063.09	