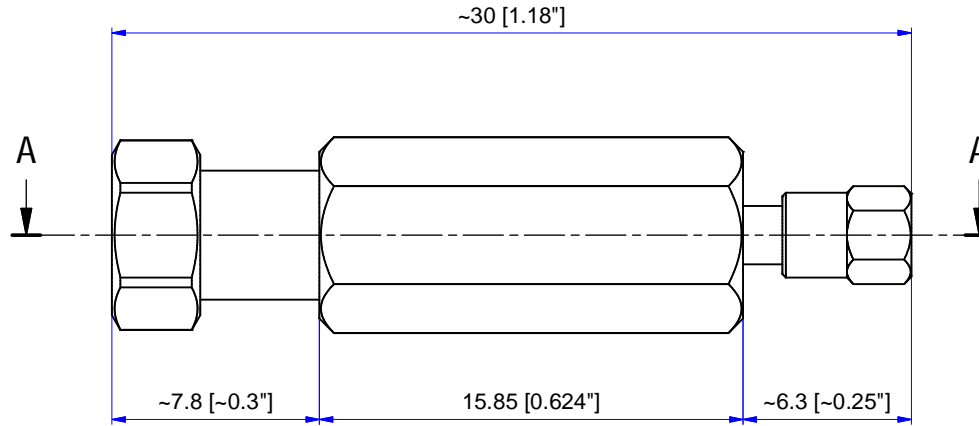
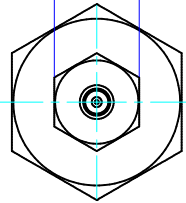
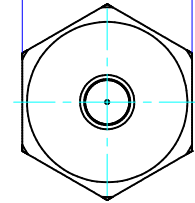


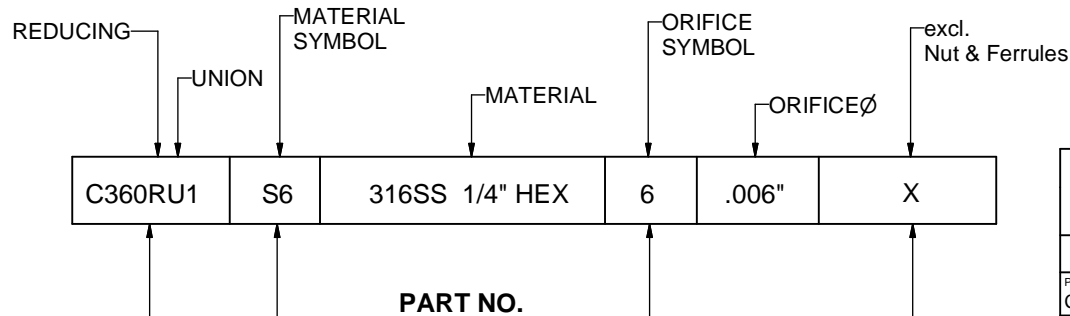
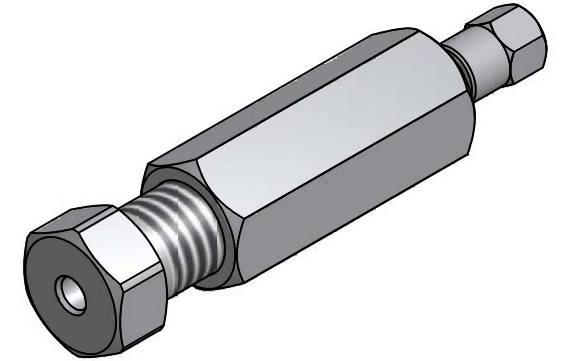
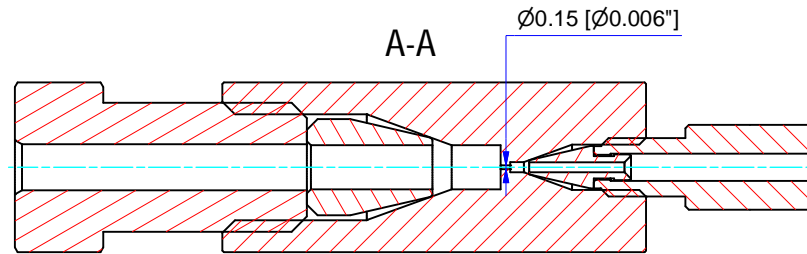
3.18 [1/8"] Hex



6.35 [1/4"] Hex



SHOWN C360RU1S66



Dimension in mm [Inch]

| | | | |
|---|--|------------------------------|--|
| THIS DOCUMENT AND THE INFORMATION WHICH IT CONTAINS SHALL NOT BE USED, EXPLOITED OR SOLD, AND SHALL NOT BE REVEALED OR DISCLOSED TO OTHERS WITHOUT THE EXPRESS WRITTEN PERMISSION OF VICI. THIS DOCUMENT SHALL REMAIN THE PROPERTY OF VICI AND SHALL BE RETURNED UPON DEMAND. | | Material MATERIAL | Dimensionen DIMENSIONS |
| Aenderungen: MODIFICATIONS: | | Projektion PROJECTION | Allgemein Toleranzen GENERAL TOLERANCES |
| PART NO.: C360RU1S66 | | | SN EN 22768-1/ ISO 2768 |
| Reducing-union 1/16 x 360 µm | | Masstab SCALE 5:1 | Gezeichnet DRAWN 17.09.2007 F.P. Geprüft / Freigabe CHECKED/RELEASE 17.09.2007 FCo CAD Nr. CAD NO. 506308.idw |
| General dimensions | | Unterverz.: SUB DIRC.: KUNDE | |
| | | Zeichnungs Nr. / DRAWING NO. | |
| VICI AG International, CH-6214 Schenkon | | 3 - GE - 5063.08 | |