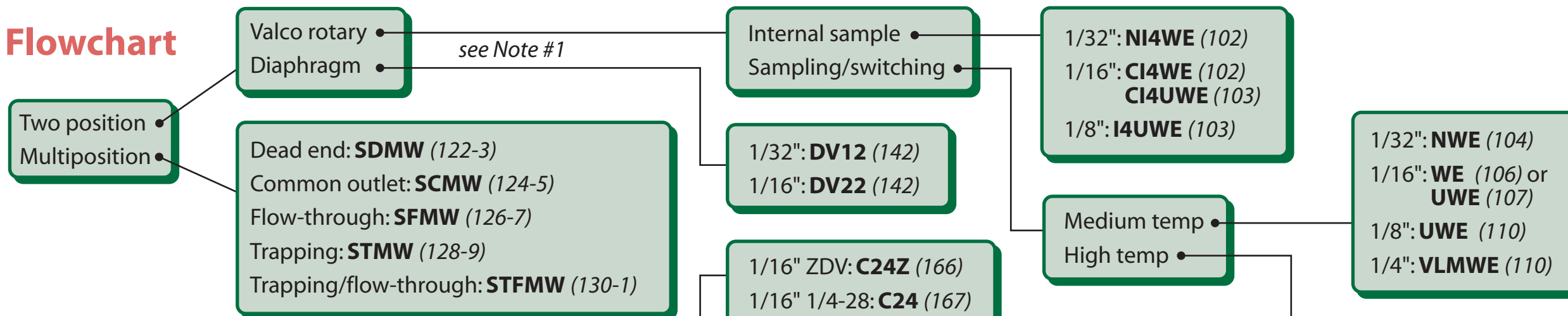
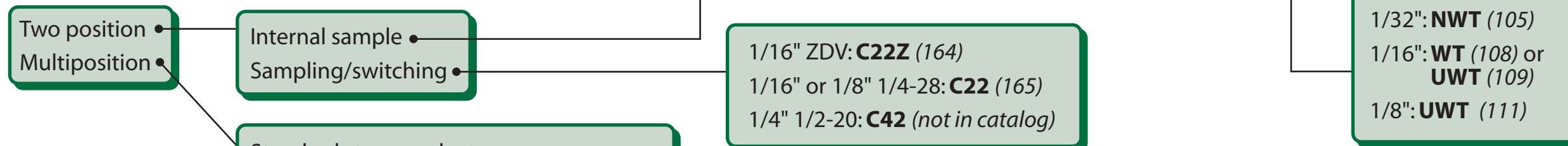


VICI Valve Selection Flowchart

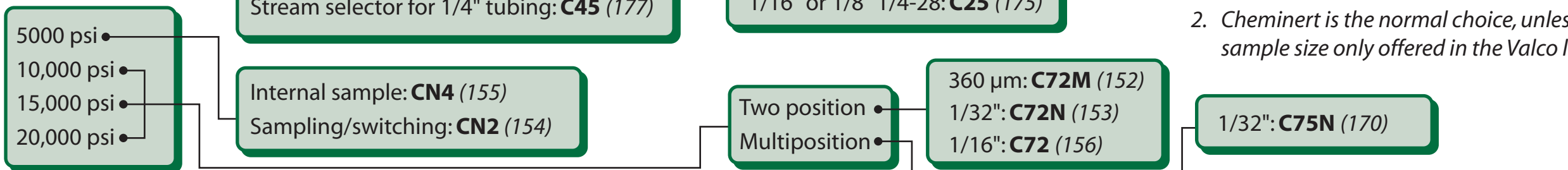
GC
Up to 1500 psi



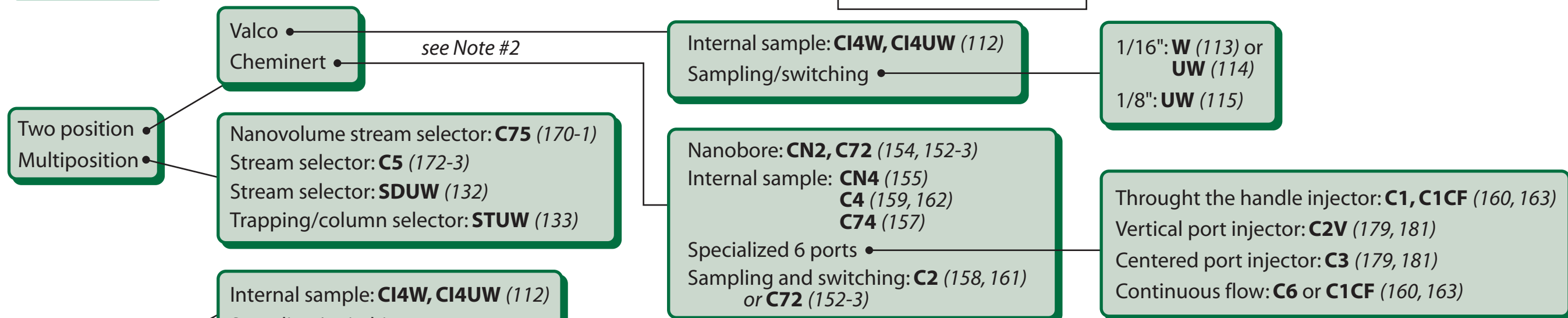
LC, FIA, SPE
Up to 1000 psi



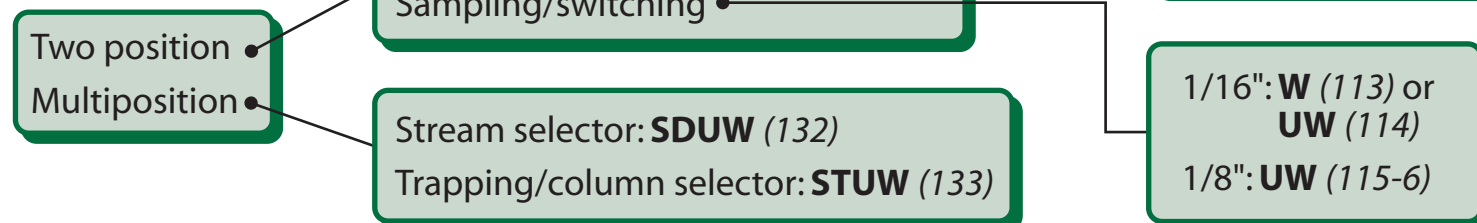
Nanobore HPLC, UHPLC
Up to 20,000 psi



HPLC, UHPLC
Up to 20,000 psi
(with C72, C74, and C75)



SFE, SFC
Up to 5,000 psi



Notes: 1. Diaphragm valves are used primarily in process applications, with a high number of actuations.
2. Cheminert is the normal choice, unless a port size or sample size only offered in the Valco line is required.

North America, South America, and Australia/Oceania contact:
VICI Valco Instruments Co. Inc.
tel: 800 367-8424
fax: 713 688-8106
valco@vici.com

Europe, Asia, and Africa contact:
VICI VICI AG International
tel: Int + 41 41 925-6200
fax: Int + 41 41 925-6201
info@vici.ch