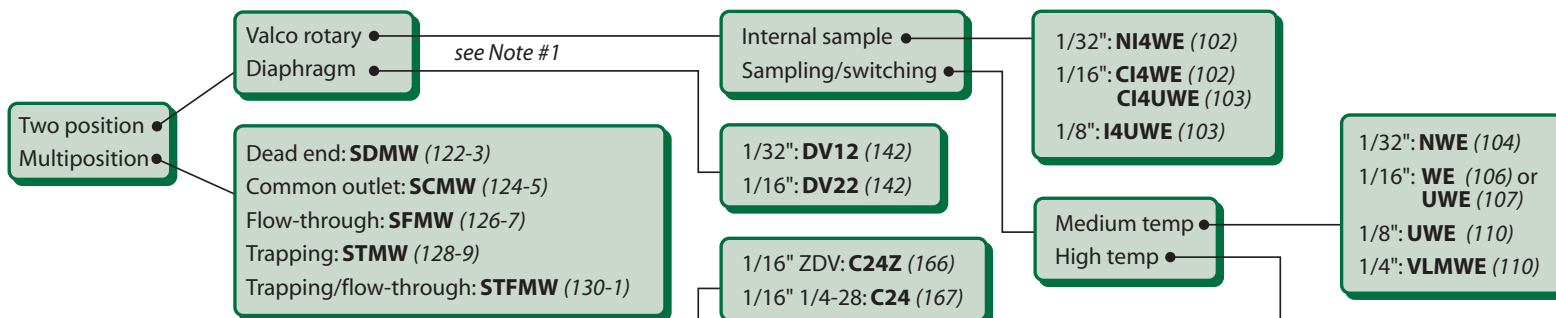


VICI Valve Selection Flowchart

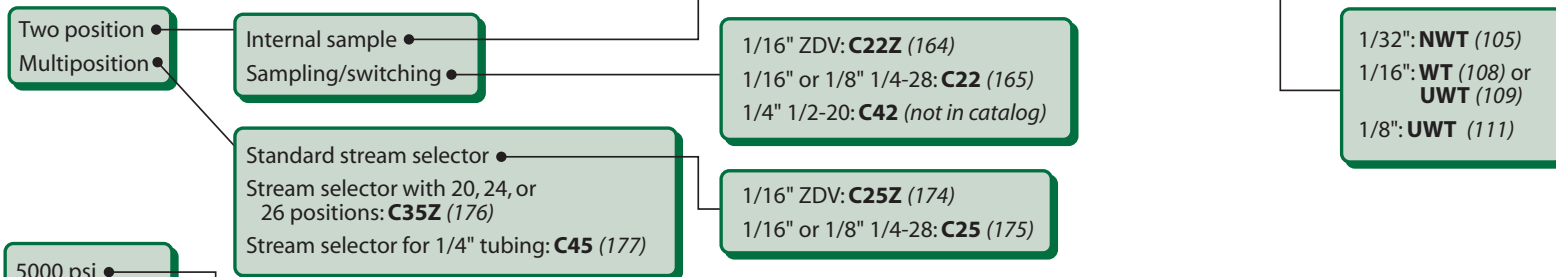
GC

Up to 1500 psi



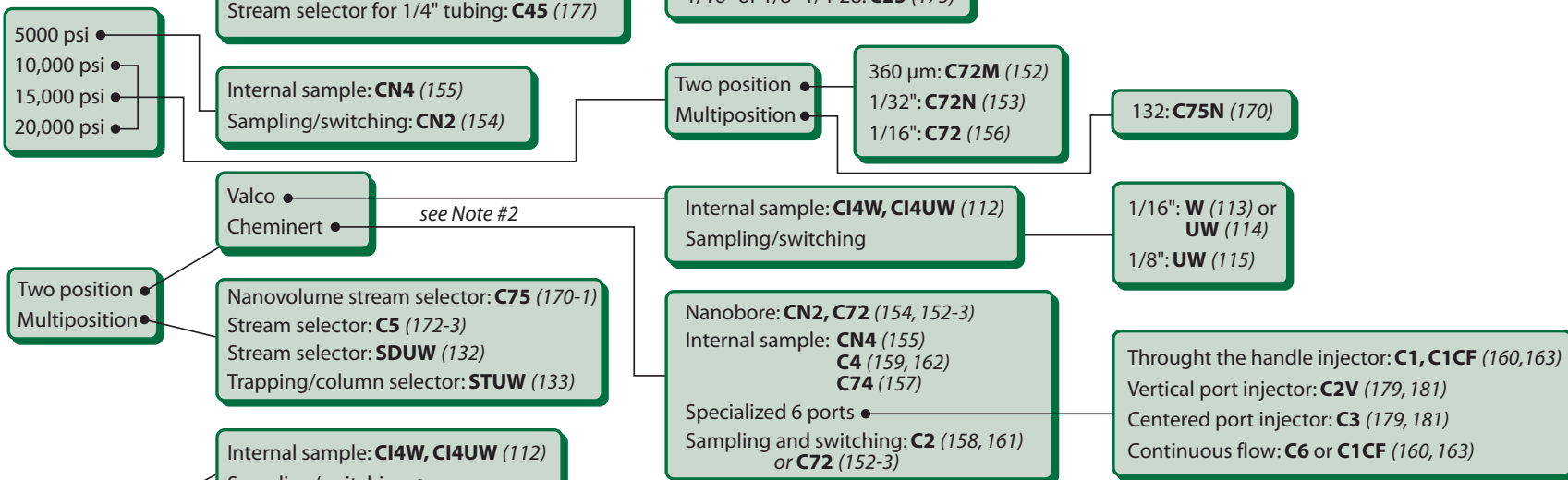
LC, FIA, SPE

Up to 1000 psi



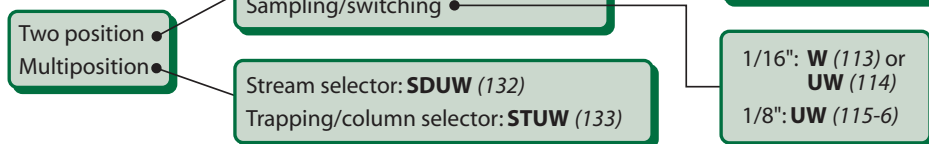
Nanobore HPLC, UHPLC

Up to 20,000 psi



SFE, SFC

Up to 5,000 psi



Notes:

1. Diaphragm valves are used primarily in process applications with a high number of actuations.
2. Cheminert is the normal choice, unless a port size or sample size only offered in the Valco line is required.

North America, South America, and Australia/Oceania contact:

VICI Valco Instruments Co. Inc.
tel: 800 367-8424
fax: 713 688-8106
valco@vici.com

Europe, Asia, and Africa contact:

VICI VICI AG International
tel: Int + 41 41 925-6200
fax: Int + 41 41 925-6201
info@vici.ch