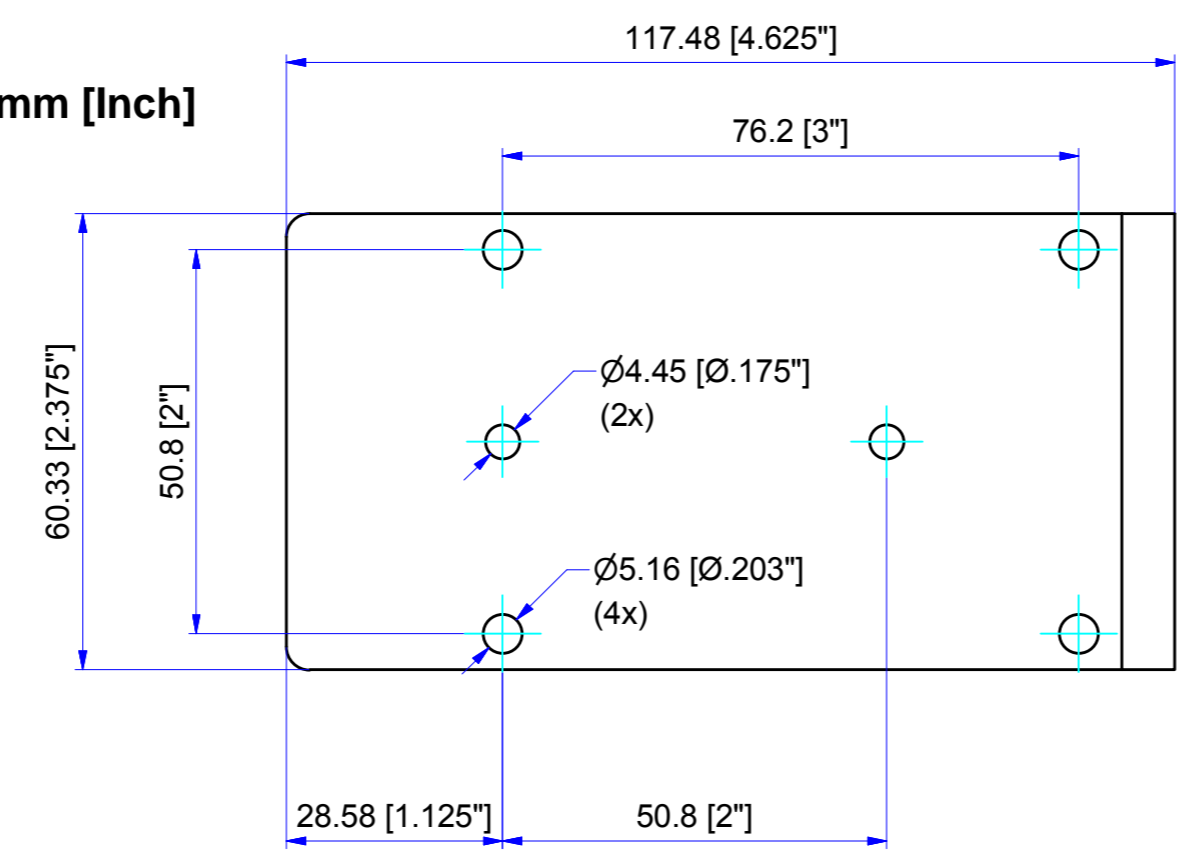
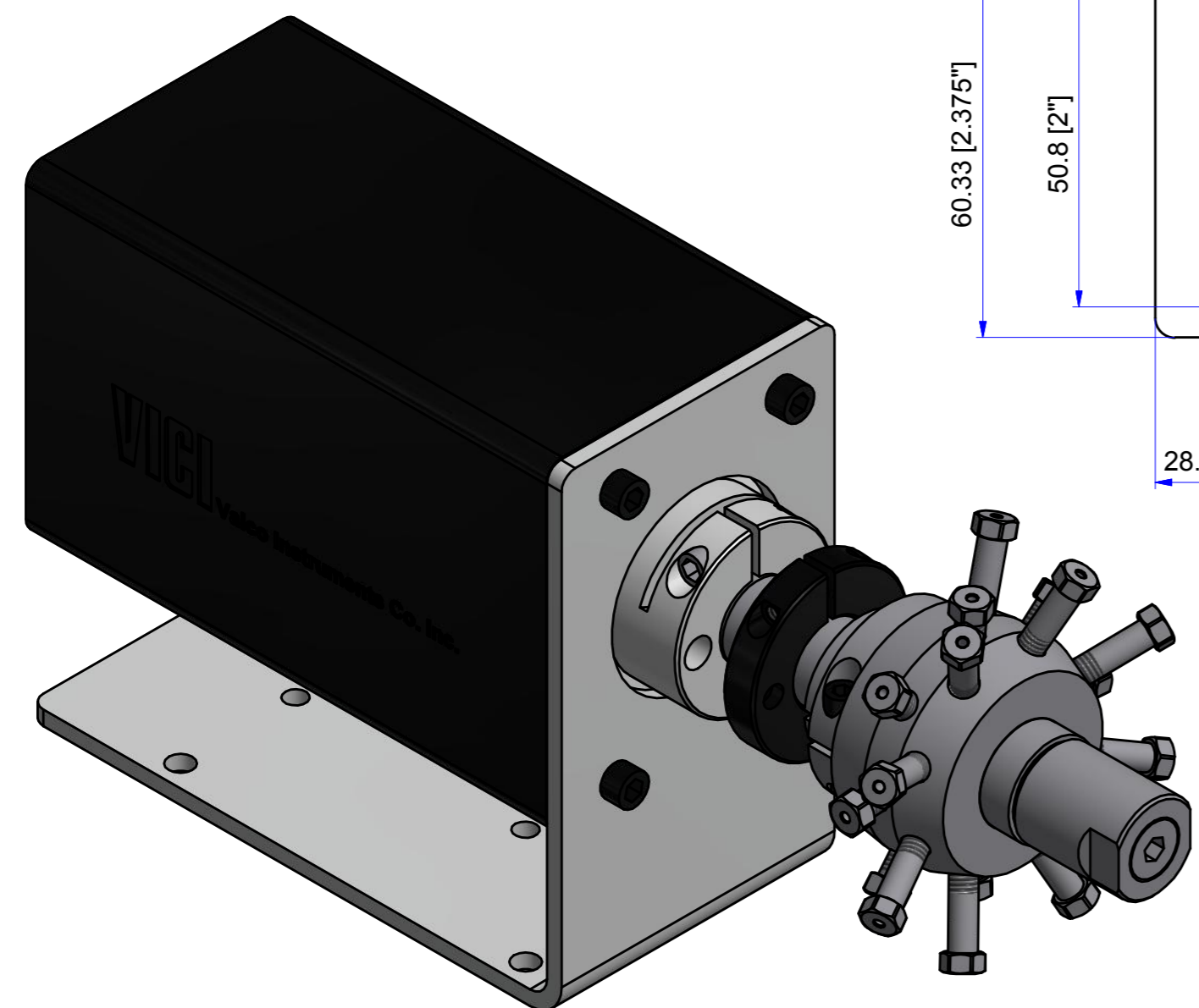


Dimension in mm [Inch]



Type	Connections	No. of Pos.	X		Y	
			mm	Inch	mm	Inch
CSD*MW	1/16"	4, 6, 8, 10, 12, 16	Ø38.1	Ø1.5"	~34.5	~1.36"
SD*MW	1/8"	4, 6, 8, 10, 12	Ø50.8	Ø2.0"	~40.5	~1.60"
SD*MW	1/8"	16	Ø57.15	Ø2.25"	~51.0	~2.00"
CSC*MW	1/16"	4, 6, 8, 10, 12, 16	Ø41.3	Ø1.625"	~36.0	~1.42"
SC*MW	1/8"	4, 6, 8, 10	Ø50.8	Ø2.0"	~38.5	~1.52"
SC*MW	1/8"	12, 16	Ø57.15	Ø2.25"	~43.0	~1.69"
CSF*MW	1/16"	4, 6, 8, 10, 12, 16	Ø41.3	Ø1.625"	~35.0	~1.38"
SF*MW	1/8"	4, 6, 8, 10	Ø50.8	Ø2.0"	~39.5	~1.56"
SF*MW	1/8"	12, 16	Ø57.15	Ø2.25"	~43.0	~1.69"
CST*MW	1/16"	4, 6, 8, 10, 12, 16	Ø41.3	Ø1.625"	~35.0	~1.38"
ST*MW	1/8"	4, 6, 8	Ø50.8	Ø2.0"	~40.0	~1.58"
ST*MW	1/8"	10	Ø57.15	Ø2.25"	~43.5	~1.71"
ST*MW	1/8"	12, 16	Ø61.0	Ø2.4"	~51.0	~2.00"



SHOWN EUTA-2CSF8MWE

THIS DOCUMENT AND THE INFORMATION WHICH IT CONTAINS SHALL NOT BE USED, EXPLOITED OR SOLD, AND SHALL NOT BE REVEALED OR DISCLOSED TO OTHERS WITHOUT THE EXPRESS WRITTEN PERMISSION OF VICI. THIS DOCUMENT SHALL REMAIN THE PROPERTY OF VICI AND SHALL BE RETURNED UPON DEMAND.

Aenderungen: a) 31.03.16 JM #973, New drawing
 MODIFICATIONS:

PART NO.:

Material MATERIAL
 Dimensionen DIMENSIONS

Projektion PROJECTION
 Allgemein Toleranzen GENERAL TOLERANCES
 SN EN 22768-1/ ISO 2768

Masstab SCALE
 Gezeichnet DRAWN
 Geprüft / Freigebe CHECKED/RELEASE
 CAD Nr. CAD NO.

31.03.2016 J.M.
 31.03.2016 FCo
 506431.idw

General dimension
 SUB DIREC.: KUNDE

Zeichnungs Nr. / DRAWING NO.
 2 - GE - 5064.31

VICI® VICI AG International, CH-6214 Schenkon