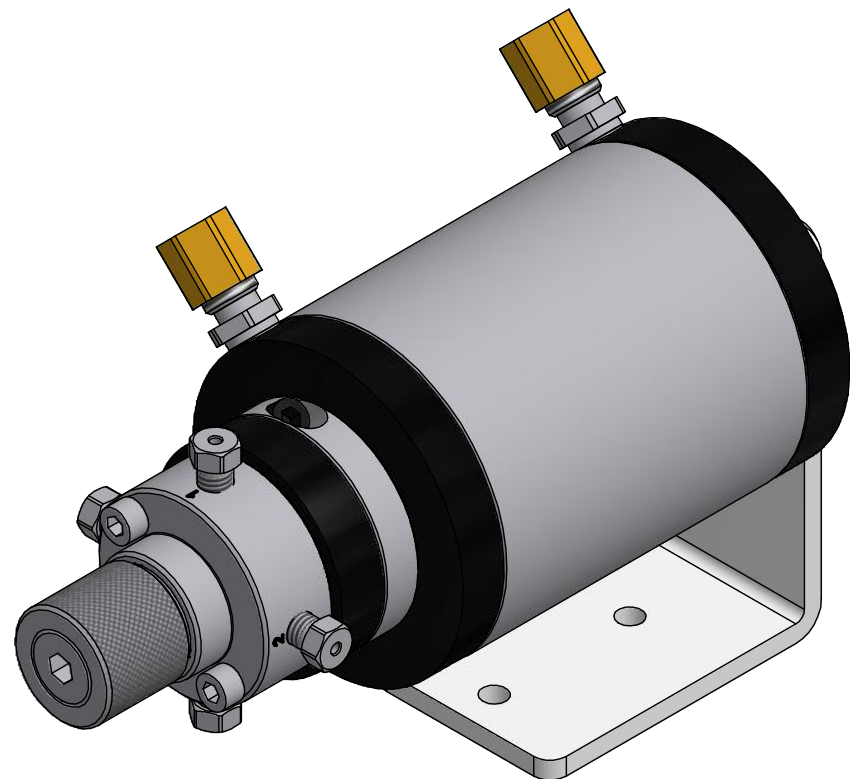


Dimension in mm [Inch]



| Type      | Connections | X       |         | ~Y   |       |
|-----------|-------------|---------|---------|------|-------|
|           |             | mm      | Inch    | mm   | Inch  |
| W         | 1/32"       | Ø 25.4  | Ø 1"    | 32   | 1.25" |
| (Shown) W | 1/16"       | Ø 31.75 | Ø 1.25" | 44   | 1.73" |
| UW        | 1/16"       | Ø 38.1  | Ø 1.5"  | 49   | 1.93" |
| UW        | 1/8"        | Ø 44.45 | Ø 1.75" | 57.4 | 2.26" |

THIS DOCUMENT AND THE INFORMATION WHICH IT CONTAINS SHALL NOT BE USED, EXPLOITED OR SOLD, AND SHALL NOT BE REVEALED OR DISCLOSED TO OTHERS WITHOUT THE EXPRESS WRITTEN PERMISSION OF VICI. THIS DOCUMENT SHALL REMAIN THE PROPERTY OF VICI AND SHALL BE RETURNED UPON DEMAND.

Aenderungen: a) 18.08.05 FP #460, Redrawn in Inventor  
MODIFICATIONS:

PART NO.:

Material MATERIAL  
Dimensionen DIMENSIONS  
Allgemein Toleranzen GENERAL TOLERANCES  
Projektion PROJECTION  
SN EN 22768-1/ ISO 2768

## Air actuated version W & UW- Type valves

with close-mount hardware. General dimensions

Masstab SCALE 1:1  
Gezeichnet DRAWN 08.04.1997 F.P.  
Geprüft / Freigabe CHECKED/ RELEASE 18.08.2005 FCo  
CAD Nr. CAD NO. 506000.idw

Unterverz.: KUNDE  
SUB DIREC.:

Zeichnungs Nr. / DRAWING NO.

**VICI**<sup>®</sup> VICI AG International, CH-6214 Schenkon

**3 - GE - 5060.00 a**