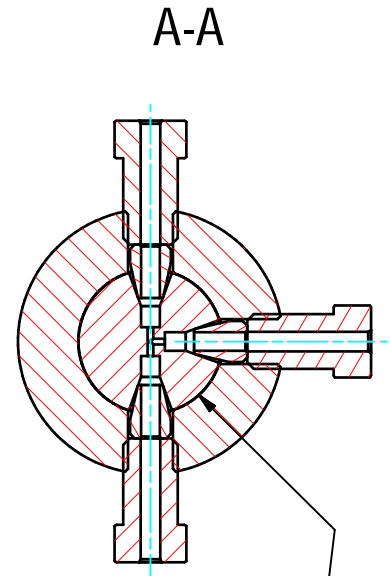
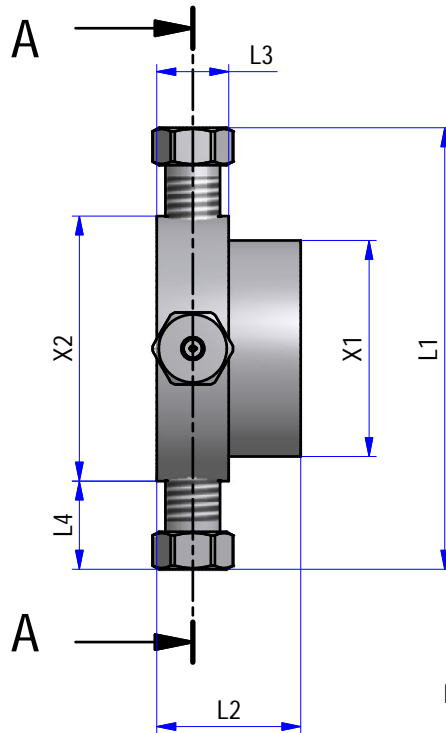


SHOWN MT1S6



Insert ZDV 1/32": OD \varnothing 9.53 [\varnothing 0.375"]

Insert ZDV 1/16": OD \varnothing 12.7 [\varnothing 0.500"]

Dimensions for union, cross and Y connectors are identical.

* different bores / different materials

Dimension in mm [Inch]

Part#	Description	L1	L2	L3	L4	X1	X2	H
MT.5*	Tee, ZDV: 1/32"	~27.3 mm [~1.070"]	9.53 mm [0.375"]	4.77 mm [0.188"]	~4.5 mm [~0.175"]	\varnothing 15.88 mm [\varnothing 0.625"]	\varnothing 18.29 [\varnothing 0.720"]	4.76 mm Hex [3/16" Hex]
MT1*	Tee, ZDV: 1/16"	~38.9 mm [~1.530"]	12.7 mm [0.500"]	6.35 mm [0.250"]	~8.0 mm [~0.313"]	\varnothing 19.05 mm [\varnothing 0.750"]	\varnothing 23.37 [\varnothing 0.920"]	6.35 mm Hex [1/4" Hex]

THIS DOCUMENT AND THE INFORMATION WHICH IT CONTAINS SHALL NOT BE USED, EXPLOITED OR SOLD, AND SHALL NOT BE REVEALED OR DISCLOSED TO OTHERS WITHOUT THE EXPRESS WRITTEN PERMISSION OF VICI. THIS DOCUMENT SHALL REMAIN THE PROPERTY OF VICI AND SHALL BE RETURNED UPON DEMAND.

Material
MATERIAL

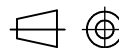
Dimensionen
DIMENSIONS

Aenderungen:
MODIFICATIONS:

Projektion
PROJECTION

Allgemein Toleranzen
GENERAL TOLERANCES

PART NO.:



SN EN 22768-1/ ISO 2768

Microvolume connectors Tee, Metal

General dimensions

Masstab
SCALE

Gezeichnet
DRAWN

14.09.2006

F.P.

1.5:1

Geprüft / Freigabe
CHECKED/ RELEASE

15.09.2006

FCo

CAD Nr.
CAD NO.

506091.idw

Unterverz.:
SUB DIREC.:

KUNDE

Zeichnungs Nr. / DRAWING NO.

4 - GE - 5060.91



VICI AG International, CH-6214 Schenkon