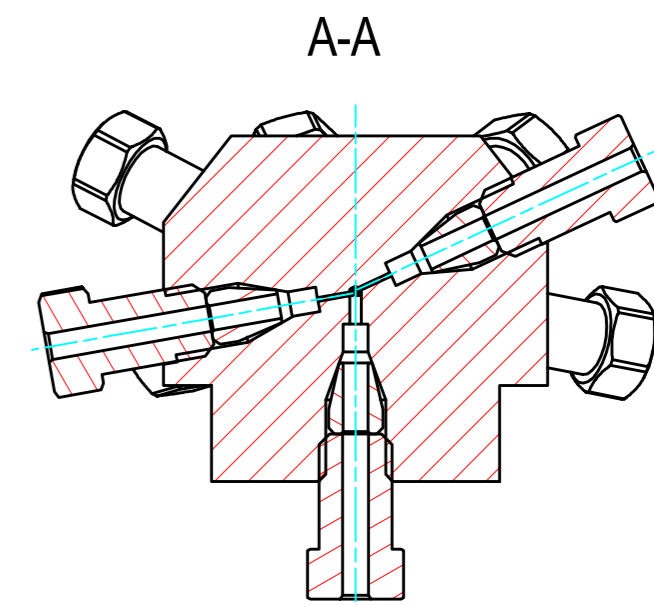


Shown Z14M1

Dimension in mm [Inch]

Part#	Description	Inlet bore	Outlet bore	Material
Z4M1	Manifold: 1/16", 4 inlets 1 outlet	0.25 mm [.010"]	0.75 mm [.030"]	Stainless steel
Z4M1L	Manifold: 1/16", 4 inlets 1 outlet	1.0 mm [.040"]	1.0 mm [.040"]	Stainless steel
Z4M1PK	Manifold: 1/16", 4 inlets 1 outlet	0.25 mm [.010"]	0.75 mm [.030"]	PEEK
Z4M1LPK	Manifold: 1/16", 4 inlets 1 outlet	1.0 mm [.040"]	1.0 mm [.040"]	PEEK
Z6M1	Manifold: 1/16", 6 inlets 1 outlet	0.25 mm [.010"]	0.75 mm [.030"]	Stainless steel
Z6M1L	Manifold: 1/16", 6 inlets 1 outlet	1.0 mm [.040"]	1.0 mm [.040"]	Stainless steel
Z6M1PK	Manifold: 1/16", 6 inlets 1 outlet	0.25 mm [.010"]	0.75 mm [.030"]	PEEK
Z6M1LPK	Manifold: 1/16", 6 inlets 1 outlet	1.0 mm [.040"]	1.0 mm [.040"]	PEEK
Z8M1	Manifold: 1/16", 8 inlets 1 outlet	0.25 mm [.010"]	0.75 mm [.030"]	Stainless steel
Z8M1L	Manifold: 1/16", 8 inlets 1 outlet	1.0 mm [.040"]	1.0 mm [.040"]	Stainless steel
Z8M1PK	Manifold: 1/16", 8 inlets 1 outlet	0.25 mm [.010"]	0.75 mm [.030"]	PEEK
Z8M1LPK	Manifold: 1/16", 8 inlets 1 outlet	1.0 mm [.040"]	1.0 mm [.040"]	PEEK
Z10M1	Manifold: 1/16", 10 inlets 1 outlet	0.25 mm [.010"]	0.75 mm [.030"]	Stainless steel
Z10M1L	Manifold: 1/16", 10 inlets 1 outlet	1.0 mm [.040"]	1.0 mm [.040"]	Stainless steel
Z10M1PK	Manifold: 1/16", 10 inlets 1 outlet	0.25 mm [.010"]	0.75 mm [.030"]	PEEK
Z12M1	Manifold: 1/16", 12 inlets 1 outlet	0.25 mm [.010"]	0.75 mm [.030"]	Stainless steel
Z12M1L	Manifold: 1/16", 12 inlets 1 outlet	1.0 mm [.040"]	1.0 mm [.040"]	Stainless steel
Z12M1PK	Manifold: 1/16", 12 inlets 1 outlet	0.25 mm [.010"]	0.75 mm [.030"]	PEEK
Z14M1	Manifold: 1/16", 14 inlets 1 outlet	0.25 mm [.010"]	0.75 mm [.030"]	Stainless steel
Z14M1L	Manifold: 1/16", 14 inlets 1 outlet	0.50 mm [.020"]	0.75 mm [.030"]	Stainless steel
Z14M1PK	Manifold: 1/16", 14 inlets 1 outlet	0.25 mm [.010"]	0.75 mm [.030"]	PEEK
Z16M1PK	Manifold: 1/16", 16 inlets 1 outlet	0.25 mm [.010"]	0.75 mm [.030"]	PEEK



THIS DOCUMENT AND THE INFORMATION WHICH IT CONTAINS SHALL NOT BE USED, EXPLOITED OR SOLD, AND SHALL NOT BE REVEALED OR DISCLOSED TO OTHERS WITHOUT THE EXPRESS WRITTEN PERMISSION OF VICI. THIS DOCUMENT SHALL REMAIN THE PROPERTY OF VICI AND SHALL BE RETURNED UPON DEMAND.

Material: MATERIAL
Dimensionen: DIMENSIONS

Projektion: PROJECTION
Allgemein Toleranzen: GENERAL TOLERANCES
SN EN 22768-1/ ISO 2768

Aenderungen: a) 16.04.12 FP #685, added VICI logo
MODIFICATIONS: b) 15.07.19 ZM #1709, removed Z12M1T

Gezeichnet: DRAWN: 05.04.2006 F.P.
Geprüft / Freigegeben: CHECKED/RELEASE: 15.07.2019 B.M.
CAD Nr.: 506080.idw
CAD NO.:

Manifold: 1/16"

General dimensions

Unterverz.: SUB DIREC.: KUNDE
Zeichnungs Nr. / DRAWING NO.: 2 - GE - 5060.80 b

VICI® VICI AG International, CH-6214 Schenkon