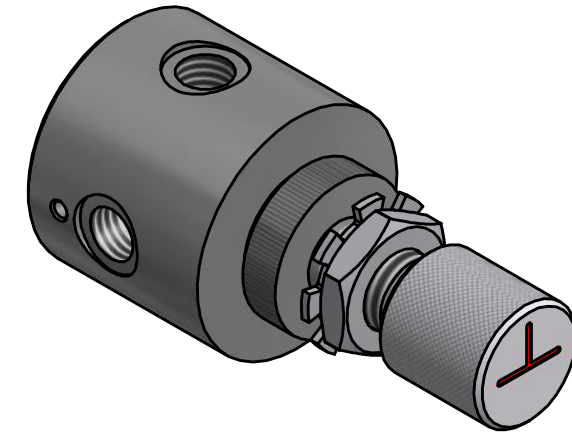
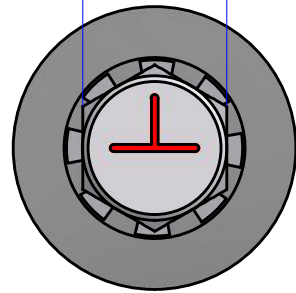
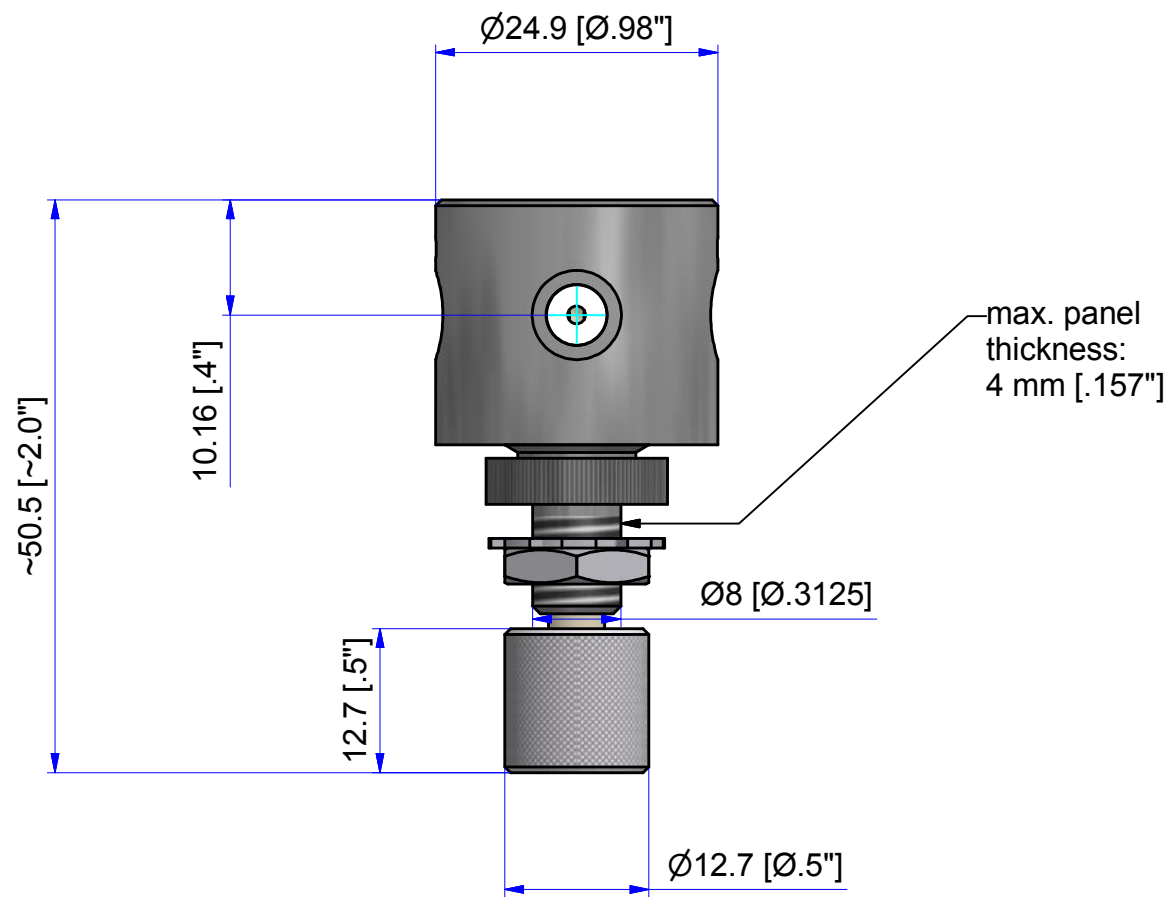
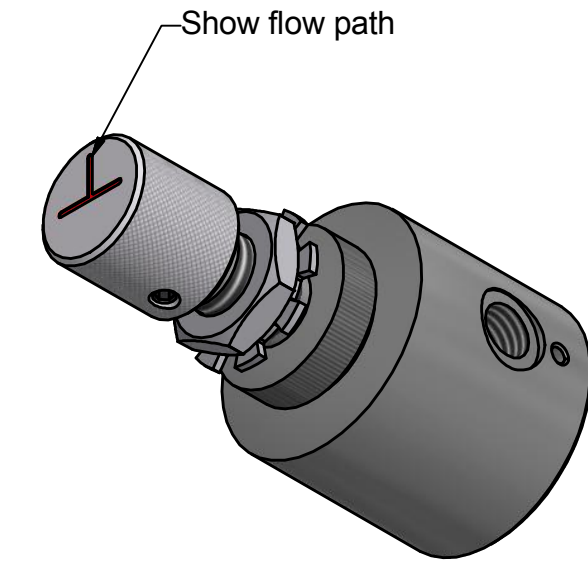


12.7 [1/2"] Hex



**Bore size: 1.5 mm [.060"]**



Dimension in mm [Inch]

THIS DOCUMENT AND THE INFORMATION WHICH IT CONTAINS SHALL NOT BE USED, EXPLOITED OR SOLD, AND SHALL NOT BE REVEALED OR DISCLOSED TO OTHERS WITHOUT THE EXPRESS WRITTEN PERMISSION OF VICI. THIS DOCUMENT SHALL REMAIN THE PROPERTY OF VICI AND SHALL BE RETURNED UPON DEMAND.		Material MATERIAL		Dimensionen DIMENSIONS	
Änderungen: MODIFICATIONS:		Projektion PROJECTION		Allgemein Toleranzen GENERAL TOLERANCES	
PART NO.:				SN EN 22768-1/ ISO 2768	
<b>Micro valves for LC / GC</b> <b>2, 3, 4 ports, 1/4"-28 UNF</b> General dimensions		Masstab SCALE	Gezeichnet DRAWN	25.08.2008	F.P.
		1:5:1	Geprüft / Freigabe CHECKED/ RELEASE	25.08.2008	FCo
		CAD Nr. CAD NO.		506341.idw	
		Unterverz.: SUB DIREC.:		KUNDE	
VICI AG International, CH-6214 Schenkon		Zeichnungs Nr. / DRAWING NO.		3 - GE - 5063.41	