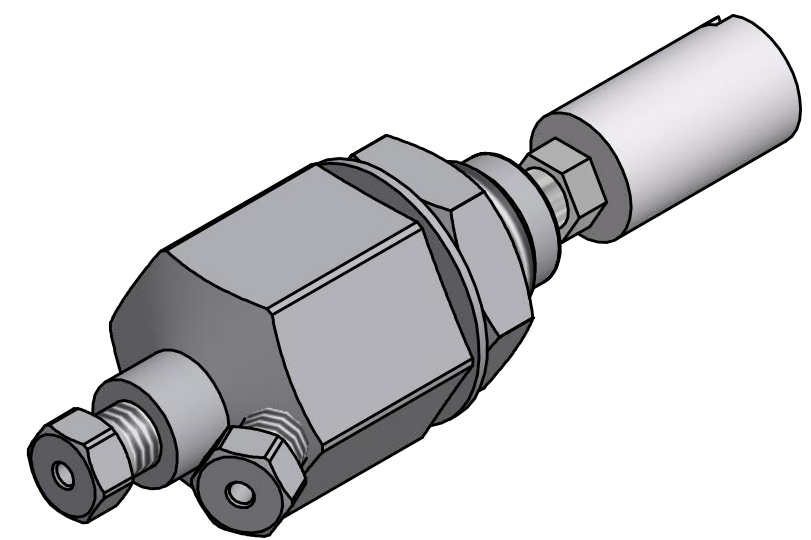
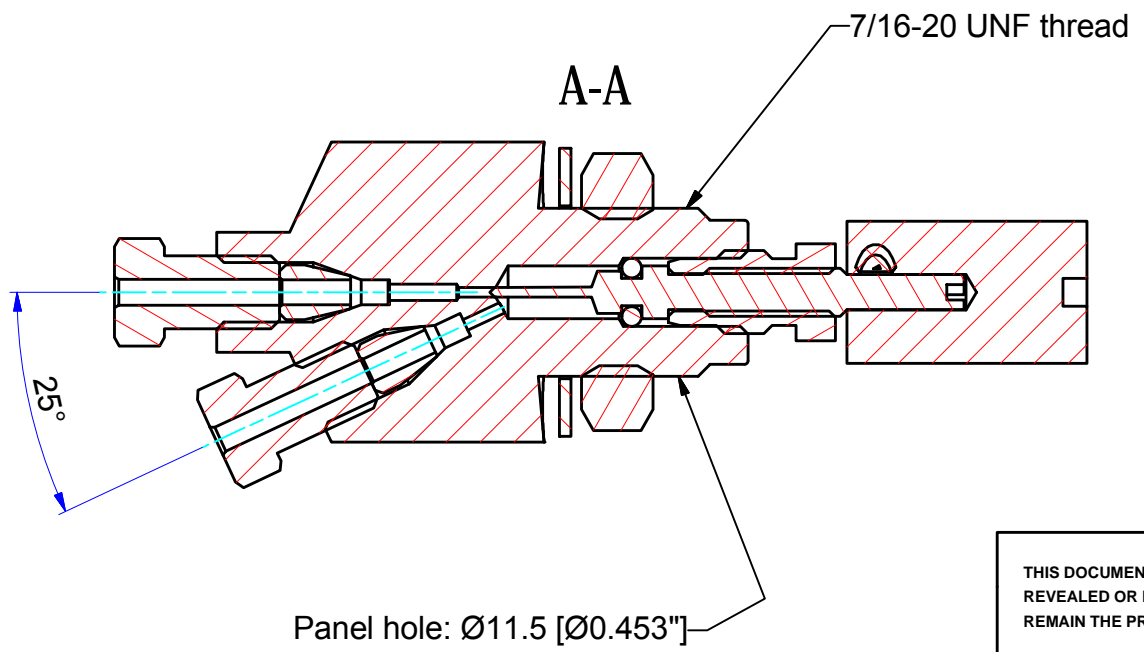


Shown ZBNV1



Dimension in mm [Inch]

THIS DOCUMENT AND THE INFORMATION WHICH IT CONTAINS SHALL NOT BE USED, EXPLOITED OR SOLD, AND SHALL NOT BE REVEALED OR DISCLOSED TO OTHERS WITHOUT THE EXPRESS WRITTEN PERMISSION OF VICI. THIS DOCUMENT SHALL REMAIN THE PROPERTY OF VICI AND SHALL BE RETURNED UPON DEMAND.		Material MATERIAL	Dimensionen DIMENSIONS
Änderungen: MODIFICATIONS:		Projektion PROJECTION	Allgemein Toleranzen GENERAL TOLERANCES
PART NO.: ZBNV1*			SN EN 22768-1/ ISO 2768
Micrometering needle valve Bulkhead, 1/16" ZDV		Masstab SCALE	Gezeichnet DRAWN
General dimensions		2:1	26.10.2007 F.P.
		Geprüft / Freigabe CHECKED/ RELEASE	26.10.2007 FCo
VICI AG International, CH-6214 Schenkon		CAD Nr. CAD NO.	506313.idw
		Unterverz.: SUB DIREC.: KUNDE	
		Zeichnungs Nr. / DRAWING NO.	3 - GE - 5063.13