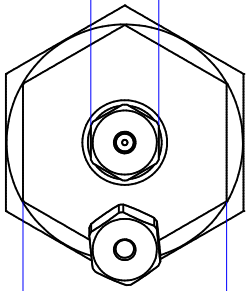
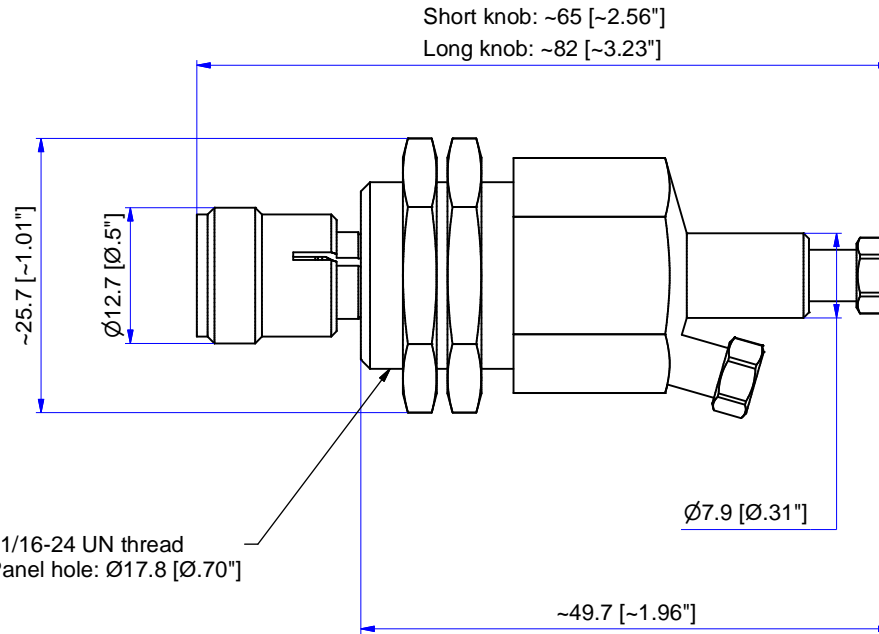


6.35 Hex [1/4"]



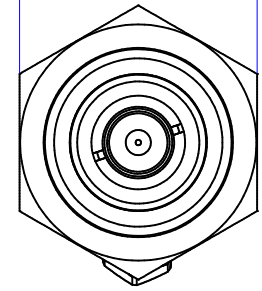
19.05 Hex [3/4"]



11/16-24 UN thread  
Panel hole: Ø17.8 [Ø.70"]

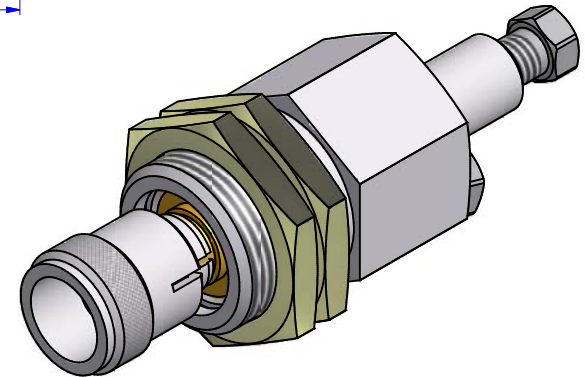
Short knob: ~65 [-2.56"]  
Long knob: ~82 [-3.23"]

22.2 Hex [7/8" Hex]



Ø7.9 [Ø.31"]

~49.7 [-1.96"]



Dimension in mm [Inch]

**Maximum flow  
@ 40 psi He or N<sub>2</sub>**

**Aluminum  
body**

**Stainless  
body**

Part-Nr.

Part-Nr.

10 ml/min

CNV1A10S1

CNV1S10S1

50 ml/min

CNV1A50S1

CNV1S50S1

150 ml/min

CNV1A150S1

CNV1S150S1

250 ml/min

CNV1A250S1

CNV1S250S1

500 ml/min

CNV1A500S1

CNV1S500S1

**Optional  
colored knobs**

**Standard  
15.8 [.62"]**

**Long  
31.8 [1.25"]**

Green

CNVEKG

CNVEKLG

Red

CNVEKR

CNVEKLR

Blue

CNVEKU

CNVEKLU

Silver

CNVEKS

CNVEKLS

Black

CNVEKB

CNVEKLB

THIS DOCUMENT AND THE INFORMATION WHICH IT CONTAINS SHALL NOT BE USED, EXPLOITED OR SOLD, AND SHALL NOT BE REVEALED OR DISCLOSED TO OTHERS WITHOUT THE EXPRESS WRITTEN PERMISSION OF VICI. THIS DOCUMENT SHALL REMAIN THE PROPERTY OF VICI AND SHALL BE RETURNED UPON DEMAND.

Material MATERIAL	Dimensionen DIMENSIONS
Projektion PROJECTION	Allgemein Toleranzen GENERAL TOLERANCES
	SN EN 22768-1/ISO 2768

Aenderungen:  
MODIFICATIONS:

PART NO.:  
CNV\*

**Combo  
Bulkhead needle valves**

General dimensions

**VICI**<sup>®</sup> VICI AG International, CH-6214 Schenkon

Masstab SCALE	Gezeichnet DRAWN	08.01.2009	F.P.
2:1	Geprüft / Freigabe CHECKED/RELEASE	08.01.2009	FCo
CAD Nr. CAD NO.	506042.idw		

Unterverz.:  
SUB DIREC.: KUNDE

Zeichnungs Nr. / DRAWING NO.

**3 - GE - 5060.42**