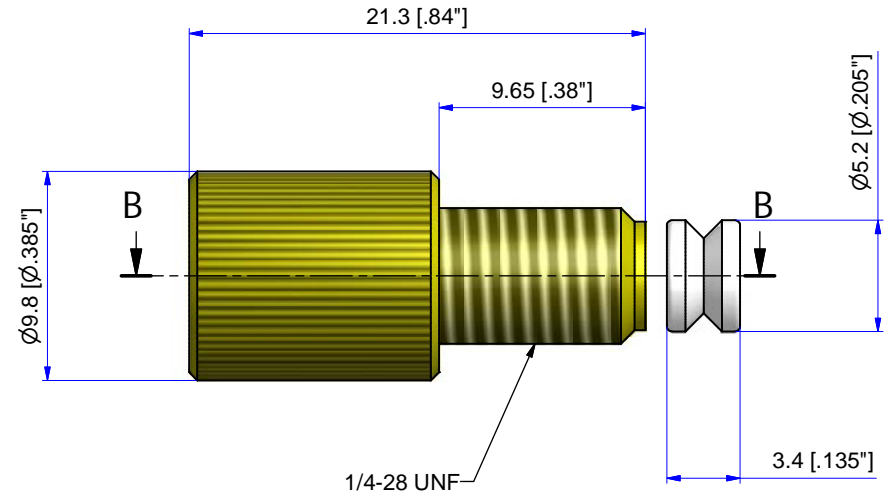
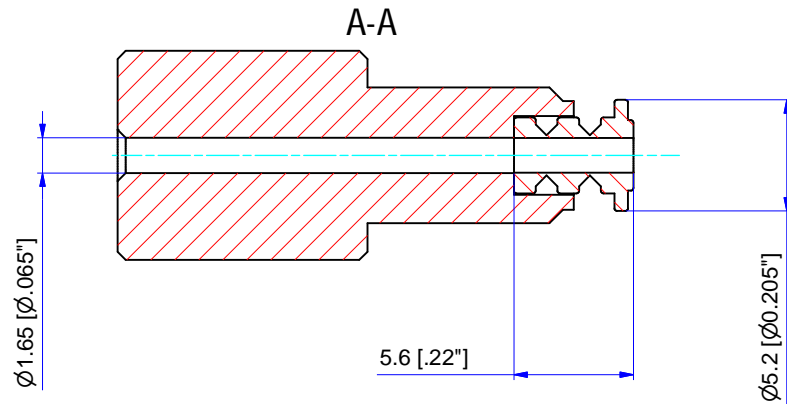
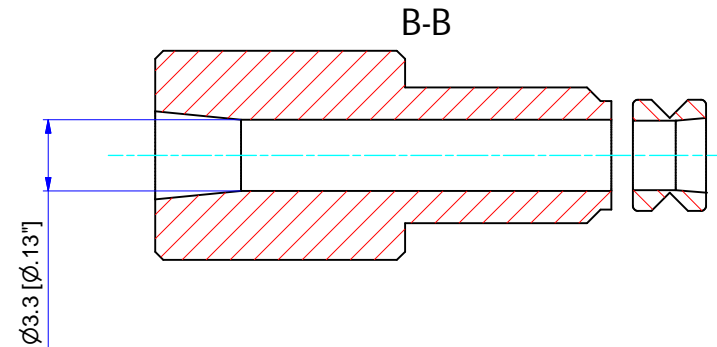


SHOWN CFL-1BE



SHOWN CFL-2Y



Dimension in mm [Inch]

THIS DOCUMENT AND THE INFORMATION WHICH IT CONTAINS SHALL NOT BE USED, EXPLOITED OR SOLD, AND SHALL NOT BE REVEALED OR DISCLOSED TO OTHERS WITHOUT THE EXPRESS WRITTEN PERMISSION OF VICI. THIS DOCUMENT SHALL REMAIN THE PROPERTY OF VICI AND SHALL BE RETURNED UPON DEMAND.		Material MATERIAL	Dimensionen DIMENSIONS
Aenderungen: MODIFICATIONS:		Projektion PROJECTION	Allgemein Toleranzen GENERAL TOLERANCES
PART NO.:			SN EN 22768-1/ ISO 2768
1/16", 1/8" flangeless fittings with collapsible ferrules		Masstab SCALE	Gezeichnet DRAWN
		4:1	22.08.2007 F.P.
General dimensions		Geprüft / Freigabe CHECKED/RELEASE	
		22.08.2007 FCo	
Unterverz.: SUB DIRC.:		KUNDE	
VICI®		Zeichnungs Nr. / DRAWING NO.	
VICI AG International, CH-6214 Schenkon		3 - GE - 5063.07	