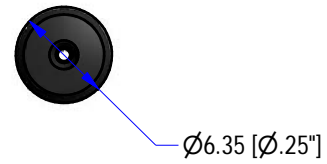
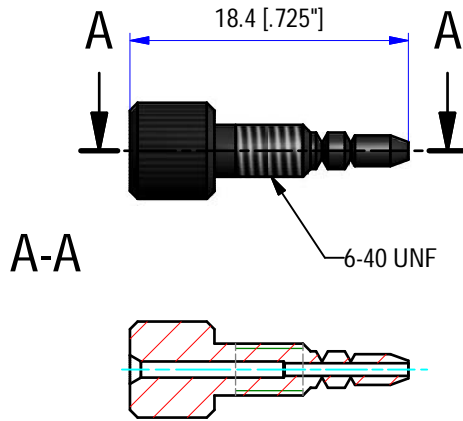
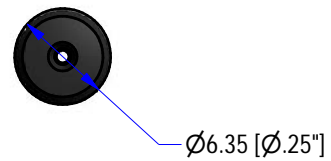
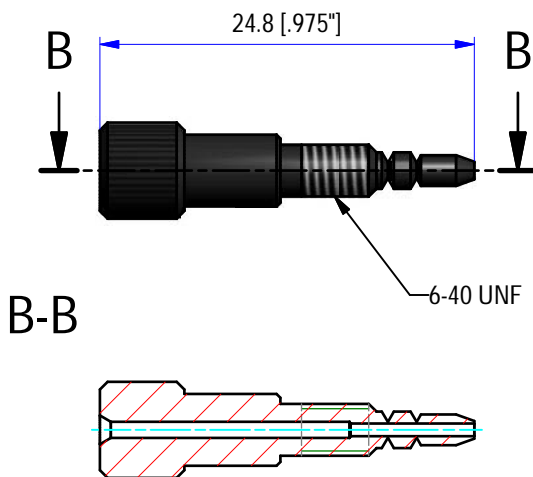


Dimension in mm [Inch]



Part#	Description	Material
C-NNFFPK	Nut / Ferrule, One-piece, 1/32" Cheminert	PEEK, black



Part#	Description	Material
C-NNFLFPK	Nut / Ferrule, One-piece, 1/32" Cheminert	PEEK, black

THIS DOCUMENT AND THE INFORMATION WHICH IT CONTAINS SHALL NOT BE USED, EXPLOITED OR SOLD, AND SHALL NOT BE REVEALED OR DISCLOSED TO OTHERS WITHOUT THE EXPRESS WRITTEN PERMISSION OF VICI. THIS DOCUMENT SHALL REMAIN THE PROPERTY OF VICI AND SHALL BE RETURNED UPON DEMAND.

Material MATERIAL	Dimensionen DIMENSIONS
Projektion PROJECTION	Allgemein Toleranzen GENERAL TOLERANCES
	SN EN 22768-1/ ISO 2768

Aenderungen:
MODIFICATIONS:
PART NO.:

Nut / Ferrule One-piece, 1/32"

General dimensions

Masstab SCALE 2:1	Gezeichnet DRAWN	16.08.2006	F.P.
	Geprüft / Freigabe CHECKED/ RELEASE	16.08.2006	FCo
	CAD Nr. CAD NO.	506088.idw	

Unterverz.:
SUB DIREC.: KUNDE

VICI[®]
VICI AG International, CH-6214 Schenkon

Zeichnungs Nr. / DRAWING NO.
4 - GE - 5060.88