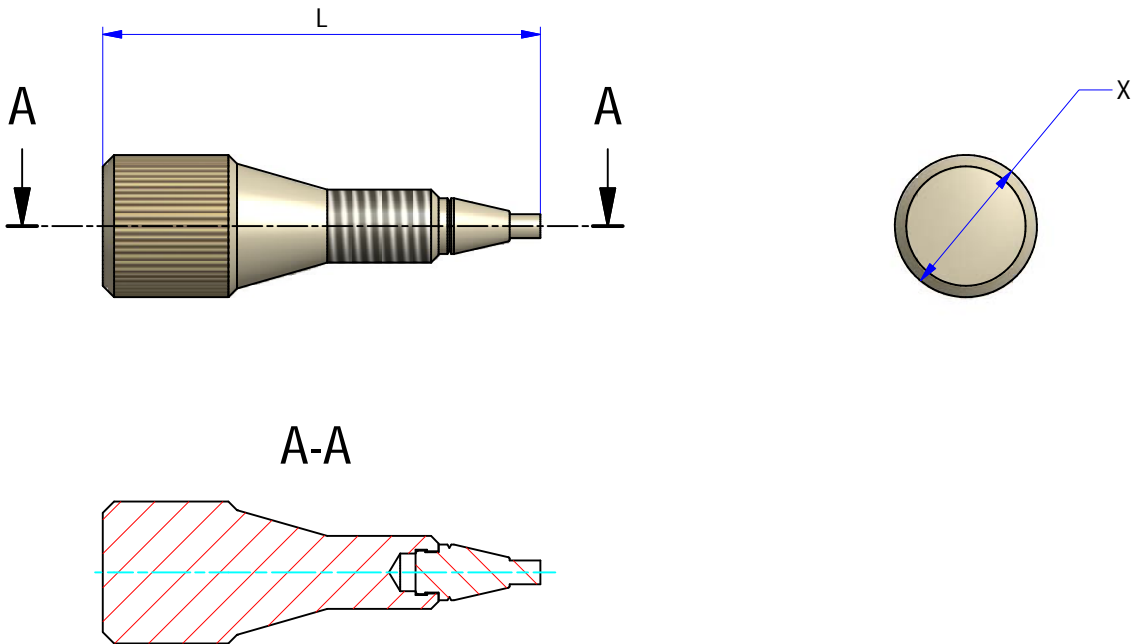


**SHOWN ZP1FPK**



\* different materials

Part#	Description	L		X	
		mm	Inch	mm	Inch
ZP.5FPK	Zero volume plug, ZDV: 1/32"	15.49	0.610"	∅6.35	∅0.25"
ZP1*	Zero volume plug, ZDV: 1/16"	28.96	1.140"	∅9.40	∅0.37"
ZP2PK	Zero volume plug, ZDV: 1/8"	25.53	1.005"	9.53	3/8" Hex

THIS DOCUMENT AND THE INFORMATION WHICH IT CONTAINS SHALL NOT BE USED, EXPLOITED OR SOLD, AND SHALL NOT BE REVEALED OR DISCLOSED TO OTHERS WITHOUT THE EXPRESS WRITTEN PERMISSION OF VICI. THIS DOCUMENT SHALL REMAIN THE PROPERTY OF VICI AND SHALL BE RETURNED UPON DEMAND.

Material MATERIAL	Dimensionen DIMENSIONS
Projektion PROJECTION	Allgemein Toleranzen GENERAL TOLERANCES
	SN EN 22768-1/ ISO 2768

Aenderungen:  
MODIFICATIONS:

PART NO.:

# Polymeric plugs

Masstab SCALE  2:1	Gezeichnet DRAWN	21.12.2005	F.P.
	Geprüft / Freigabe CHECKED/ RELEASE	21.12.2005	FCo
	CAD Nr. CAD NO.	506066.idw	

General dimensions

Unterverz.:  
SUB DIREC.: **KUNDE**

**VICI**<sup>®</sup> VICI AG International, CH-6214 Schenkon

Zeichnungs Nr. / DRAWING NO.

**4 - GE - 5060.66**