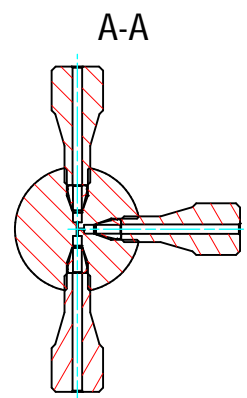
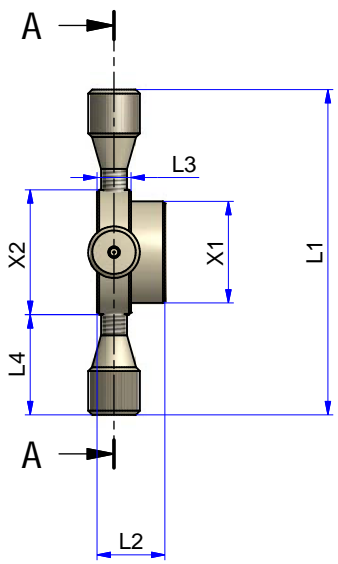
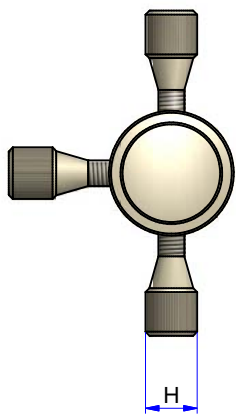
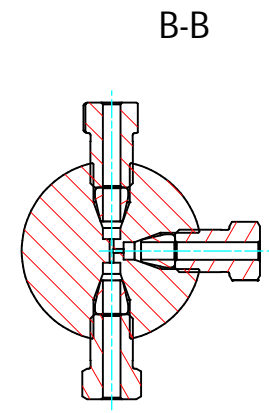
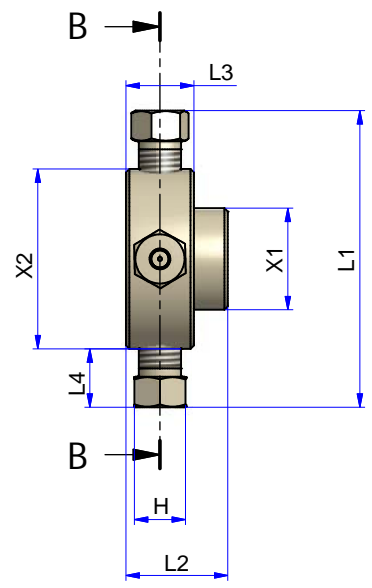
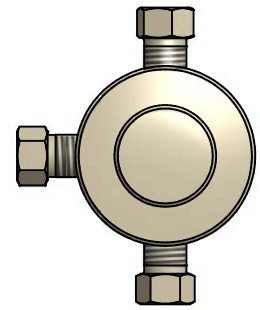


SHOWN ZT1CFPK



SHOWN ZT2PK



Dimension in mm [Inch]

Part#	Description	L1	L2	L3	L4	X1	X2	H
ZT.5*	Tee, ZDV: 1/32"	~33.2 mm [-1.310"]	9.53 mm [0.375"]	4.77 mm [0.188"]	~7.5 mm [-0.295"]	Ø15.88 mm [Ø0.625"]	Ø18.29 [Ø0.720"]	Ø6.35 mm [Ø0.250"]
ZT1*	Tee, ZDV: 1/16"	~61.0 mm [-2.400"]	12.7 mm [0.500"]	6.35 mm [0.250"]	~18.7 mm [-0.740"]	Ø19.05 mm [Ø0.750"]	Ø23.37 [Ø0.920"]	Ø9.65 mm [Ø0.380"]
ZT2*	Tee, ZDV: 1/8"	~55.0mm [-2.165"]	19.05 mm [0.750"]	12.7 mm [0.500"]	~10.7 mm [-0.420"]	Ø19.05 mm [Ø0.750"]	Ø33.66 [Ø1.325"]	9.53 mm Hex [3/8" Hex]

THIS DOCUMENT AND THE INFORMATION WHICH IT CONTAINS SHALL NOT BE USED, EXPLOITED OR SOLD, AND SHALL NOT BE REVEALED OR DISCLOSED TO OTHERS WITHOUT THE EXPRESS WRITTEN PERMISSION OF VICI. THIS DOCUMENT SHALL REMAIN THE PROPERTY OF VICI AND SHALL BE RETURNED UPON DEMAND.

Aenderungen: a) 23.06.09 FP #582, changed chart, ECN 10988
 MODIFICATIONS:

PART NO.:

Tees, PEEK

General dimensions

VICI VICI AG International, CH-6214 Schenkon

Material	MATERIAL	Dimensionen	DIMENSIONS
Projection	PROJECTION	Allgemein Toleranzen	GENERAL TOLERANCES
SN EN 22768-1/ISO 2768			
Masstab	SCALE	Gezeichnet	DRAWN
1:1		16.12.2005	F.P.
		Gepflicht / Freigabe	CHECKED/RELEASE
		23.06.2009	FCo
		CAD Nr.	
		506060.idw	
Unterverz.:	SUB DIR.:	KUNDE	
		Zeichnungs Nr. / DRAWING NO.	
		3 - GE - 5060.60 a	